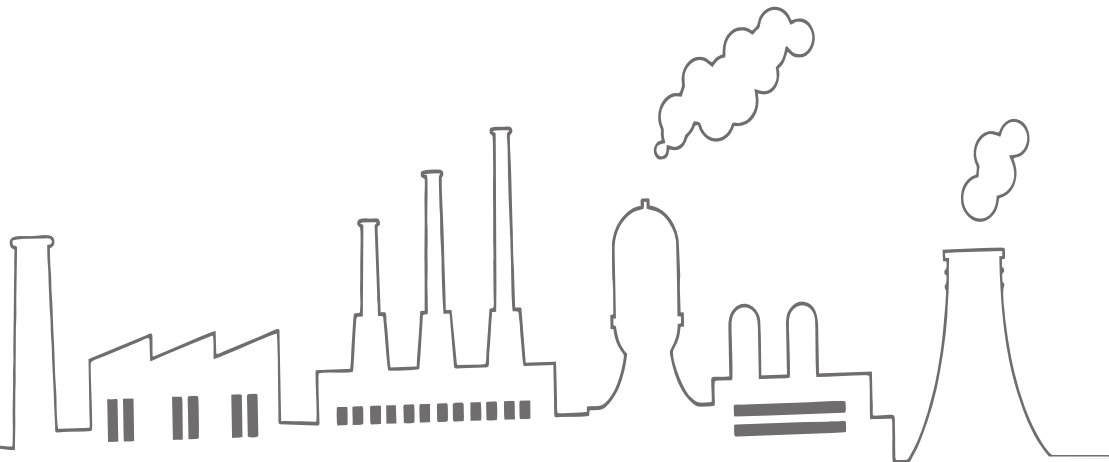


TRANSFORMER

BUSHING AND ACCESSORIES



dada corporation



BUSHING AND ACCESSORIES



DC offers a wide range of Transformers’s Accessories for indoor and outdoor use.

DC, by translating its Technological expertise, Manufacturing Process and Product Application to innovative solutions ensures complete customer satisfaction

DC Transformers’s Accessories are being used worldwide and are supported by a wide network of distributors and wholesalers. Owing to our good track record of reliable supplies our customer base has spanned major sectors like Industrial, Power and Oil fields, just to name a few.

DC has been dedicated to provide its customers, solutions, adding value to their business and also develop products as per their specific requirements, from short to large production run.

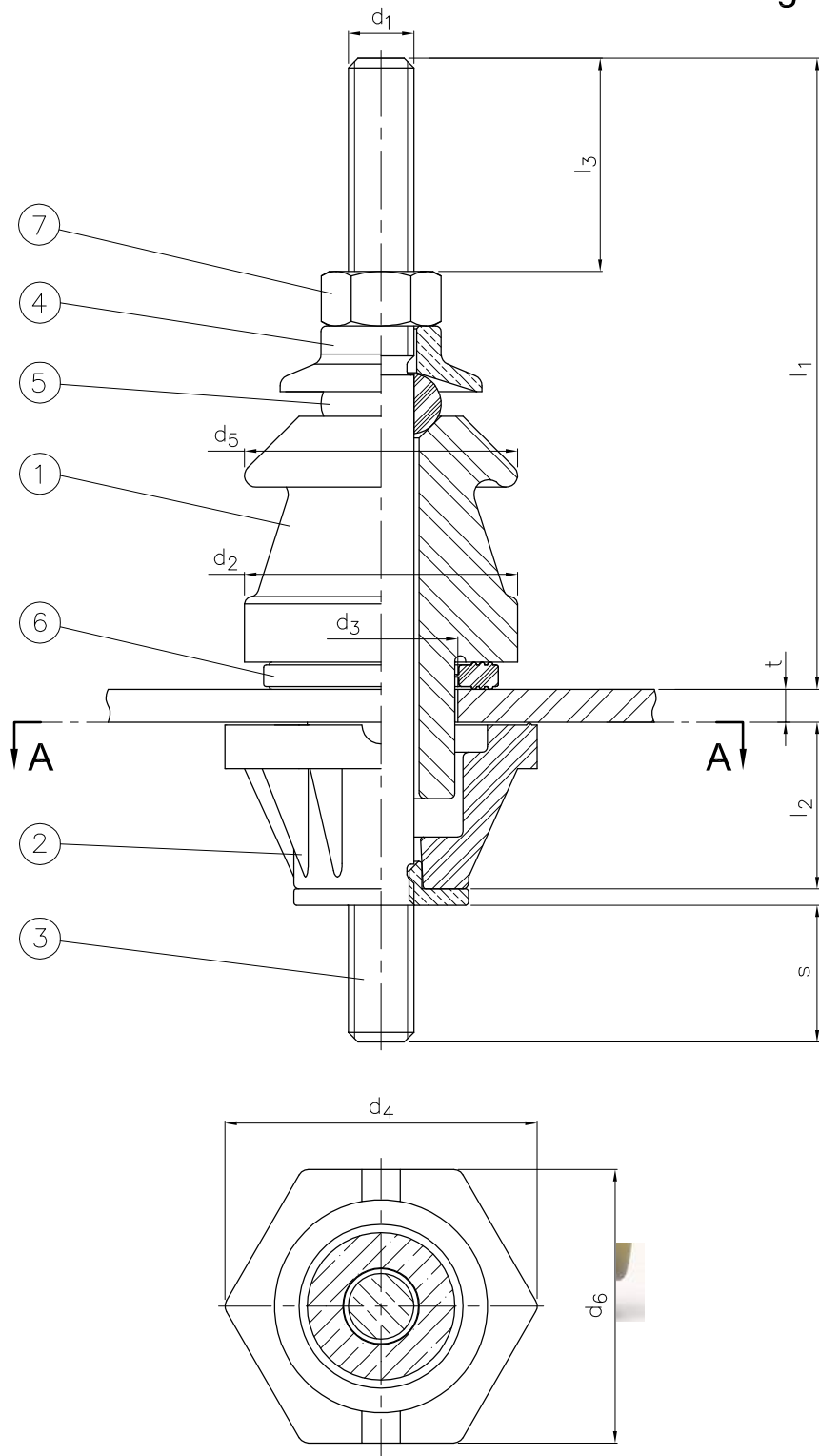
This catalogue has been compiled and logically structured enabling the original equipment manufacturers, electrical contractors, distributors, wholesalers and retailers to find product information easily and efficiently.

Introduction	2
TRANSFORMER BUSHINGS - EN 50386	4 - 12
1. OUTDOOR TRANSFORMER BUSHINGS - EN 50386 Voltage 1kV , Current 250-630A	6. OUTDOOR TRANSFORMER BUSHINGS - EN 50386 Voltage 1kV , Current 2000A
2. OUTDOOR TRANSFORMER BUSHINGS - EN 50386 Voltage 1kV , Current 250-630A "AP"	7. OUTDOOR TRANSFORMER BUSHINGS - EN 50386 Voltage 1kV , Current 3150A "AP"
3. OUTDOOR TRANSFORMER BUSHINGS - EN 50386 Voltage 1kV , Current 1000-1250A	8. OUTDOOR TRANSFORMER BUSHINGS - EN 50386 Voltage 1kV , Current 4000A "AP"
4. OUTDOOR TRANSFORMER BUSHINGS - EN 50386 Voltage 1kV , Current 1000-1250A "AP"	9. OUTDOOR TRANSFORMER BUSHINGS Voltage 3kV , Current 6300A
5. OUTDOOR TRANSFORMER BUSHINGS - EN 50386 Voltage 1kV , Current 2000-3150-4000A	
TRANSFORMER BUSHING FOR OIL TYPE	13 - 43
1. OUTDOOR BUSHINGS - DIN42530 Voltage 1kV , Current 250-630A	17. BUSHINGS - DIN42533 - 1000A Component List
2. OUTDOOR BUSHINGS - DIN42530 Voltage 1kV , Current 1000-2000-3150A	18. BUSHINGS - DIN42533 - 2000A Component List
3. OUTDOOR BUSHINGS - TYPE "AP/250-630" Voltage 1kV , Current 250-630A	19. BUSHINGS - DIN42533 - 3150A Component List
4. OUTDOOR BUSHING - TYPE "AP/1000" Voltage 1kV , Current 1000A	20. OUTDOOR BUSHINGS Voltage 12-24-36kV , Current 4500A
5. OUTDOOR BUSHING - TYPE "AP/2000" Voltage 1kV , Current 2000A	21. Brass Flag DIN 43675 (EP-FP)
6. OUTDOOR BUSHINGS - DIN42539 Voltage 3.6kV , Current 250-630A	22. Brass Flag DIN 43675 (DP, AP-EL)
7. OUTDOOR BUSHINGS - DIN42539 Voltage 3.6kV , Current 1000-2000-3150A	23. ANSI Clamp M12 With Eye Bolt
8. OUTDOOR BUSHINGS Voltage 3kV , Current 4500-6300A	24. OUTDOOR IMMERSED BUSHING Voltage 1.1kV , Current 1600A
9. INDOOR AND OUTDOOR BUSHINGS - DIN42531 Voltage Class 10-20-30N , Current 250A	25. OUTDOOR IMMERSED BUSHING Voltage 1.1kV , Current 2500A
10. BUSHINGS - DIN42531 Component List and Ordering System	26. OUTDOOR IMMERSED BUSHING Voltage 3kV , Current 850A
11. OUTDOOR BUSHINGS Voltage 36kV , Current 250A	27. OUTDOOR IMMERSED BUSHING Voltage 3kV , Current 1600A
12. OUTDOOR BUSHINGS Construction with "V" Support , Current 250A	28. OUTDOOR IMMERSED BUSHING Voltage 3kV , Current 2500A
13. OUTDOOR BUSHINGS Special Applications for High Creepages	29. OUTDOOR IMMERSED BUSHING Voltage 12kV , Current 1600A
14. INDOOR AND OUTDOOR BUSHINGS - DIN42532 Voltage Class 10-20-30N , Current 630A	30. INDOOR IMMERSED CABLE BOX BUSHING Voltage 24kV , Current 250A
15. BUSHINGS - DIN42532 Component List and Ordering System	31. INDOOR IMMERSED BUSHINGS Voltage 36kV , Current 250A
16. INDOOR AND OUTDOOR BUSHINGS - DIN42533 Voltage Class 10-20-30N , Current 1000-2000-3150A	

BUSHING

OUTDOOR TRANSFORMER BUSHINGS EN 50386

Rated voltage 1kV Rated current 250-630A



Pos.	Qty.	Description
1	1	Ceramic body
2	1	Insulation body
3	1	Brass stem
4	1	Brass washer "E"
5	1	Ring gasket "J"
6	1	Flange gasket (N)
7	1	Brass Nut UNI 5589

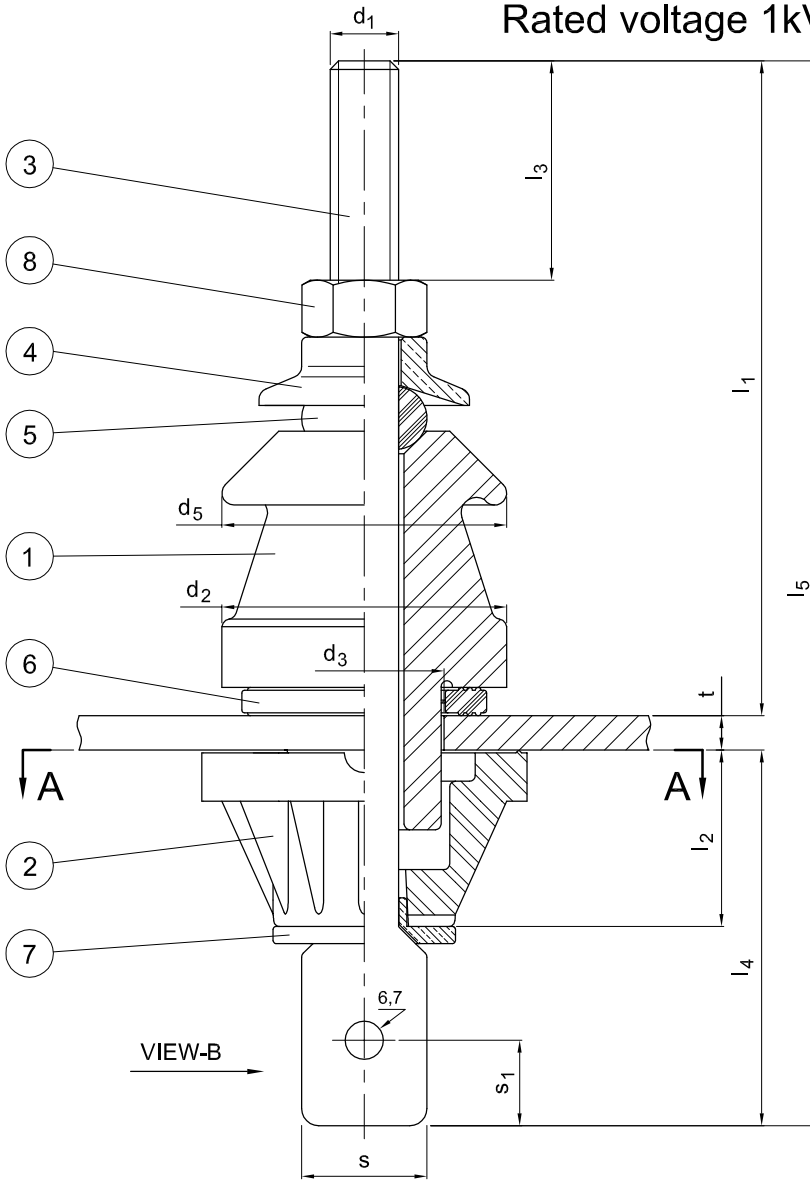
SECTION A-A

All dimensions are "mm" ⊕ Rated current (A) ⊗ Creepage distance (mm) ● Weight (kg)

Type	⊕	I_1 max.	I_2 min.	s ±0,3	t max.	d_1	d_2 max.	$d_3^{+2}_0$	d_4 max.	I_3 min.	d_5 max.	d_6	⊗	●
1/250	250	115	30	25	6	M12	56	28	58	40	56	50	55	0.5
1/630	630	165	30	37	6	M20	70	45	80	65	70	70	70	1.5

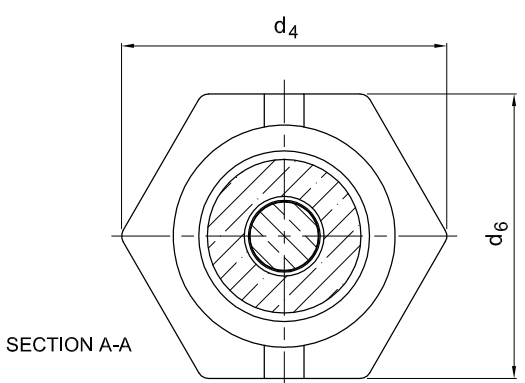
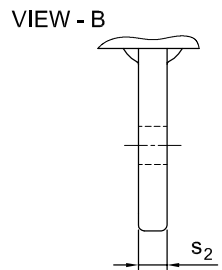
OUTDOOR TRANSFORMER BUSHINGS EN 50386

Rated voltage 1kV Rated current 250-630A "AP"



Pos.	Qty.	Description
1	1	Ceramic body
2	1	Insulation body
3	1	Brass stem
4	1	Brass washer "E"
5	1	Ring gasket "J"
6	1	Flange gasket (N)
7	1	Brass piece
8	1	Brass Nut UNI 5588

Note: 7 nr. part not included 630A .

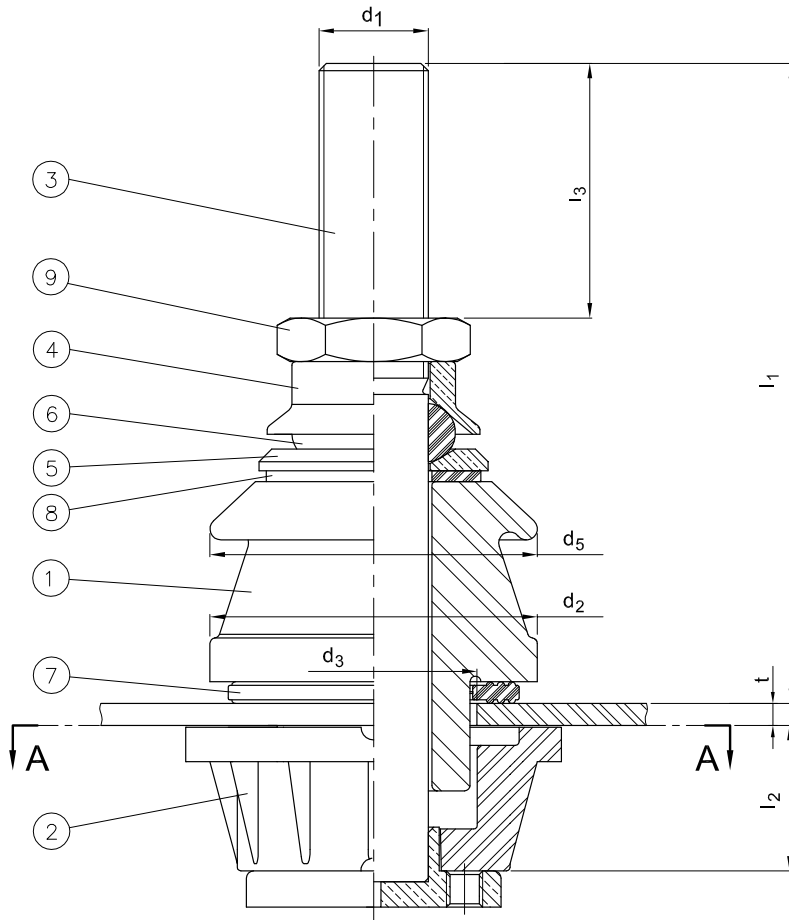


All dimensions are "mm" Rated current (A) Creepage distance (mm) Weight (kg)

Type		I_1 max.	I_2 min.	s ± 1	t max.	d_1	d_2 max.	$d_3^{+2}_0$	d_4 max.	d_6	I_3 min.	d_5 max.	s_1	I_4 ± 1	I_5 ± 1	s_2 $\pm 0,5$		
1/250	250	115	30	22	6	M12	56	28	58	50	40	56	15	65	187	5	55	0.5
1/630	630	163	30	32	6	M20	70	45	80	70	65	70	14	67	235	9	70	1.4

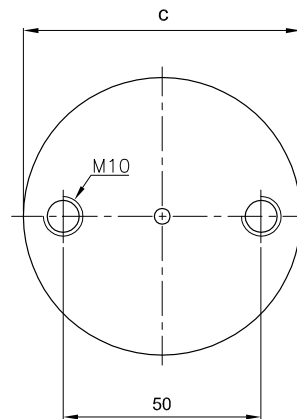
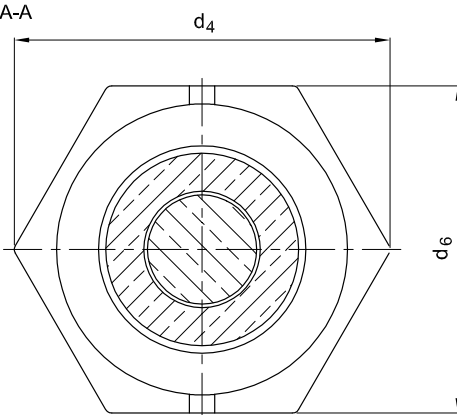
OUTDOOR TRANSFORMER BUSHINGS EN 50386

Rated voltage 1kV Rated current 1000A / 1250A



Pos.	Qty.	Description
1	1	Ceramic body
2	1	Insulation body
3	1	Brass stem
4	1	Brass washer "E"
5	1	Brass washer "G"
6	1	Ring gasket "J"
7	1	Flange gasket (N)
8	1	Flange gasket (M)
9	1	Brass Nut UNI 5589

SECTION A-A

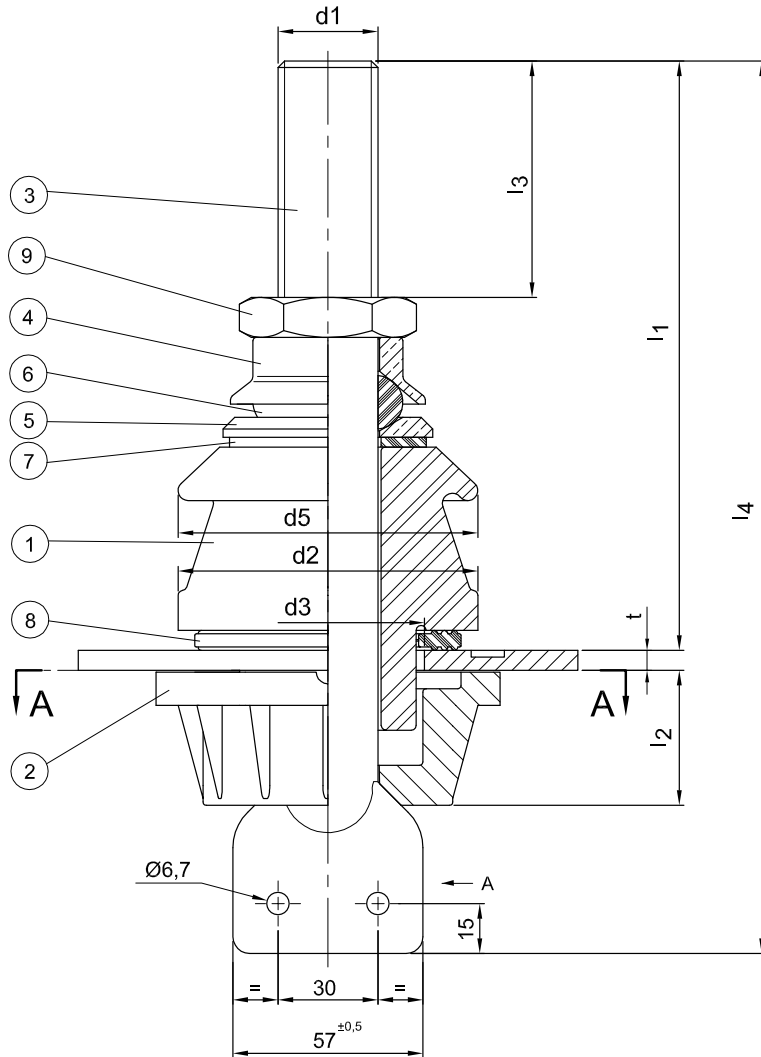


All dimensions are "mm" Rated current (A) Creepage distance (mm) Weight (kg)

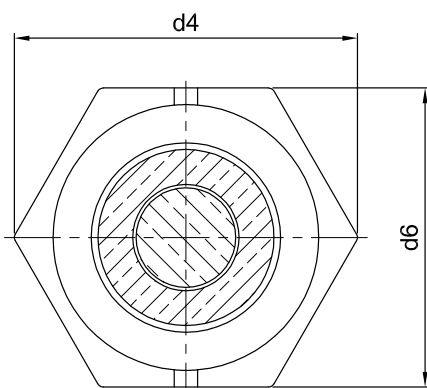
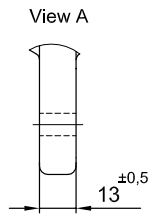
Type		l_1 max.	l_2 min.	l_3 min.	c	t max.	d_1	d_2 max.	$d_3^{+2}_0$	d_4 max.	d_5 max.	d_6			Stem Material (3 Nr. Part)
1/1000	1000	175,5	40	70	70	6	M30x2	90	56	102	90	AA90	75	2,7	Brass
1/1250	1250	175,5	40	70	70	6	M30x2	90	56	102	90	AA90	75	2,8	Copper

OUTDOOR TRANSFORMER BUSHINGS EN 50386

Rated voltage 1kV Rated current 1000A / 1250A "AP"



Pos.	Qty.	Description
1	1	Ceramic body
2	1	Insulation body
3	1	Stem
4	1	Brass washer "E"
5	1	Brass washer "G"
6	1	Ring gasket "J"
7	1	Flange gasket (M)
8	1	Flange gasket (N)
9	1	Brass Nut UNI 5589



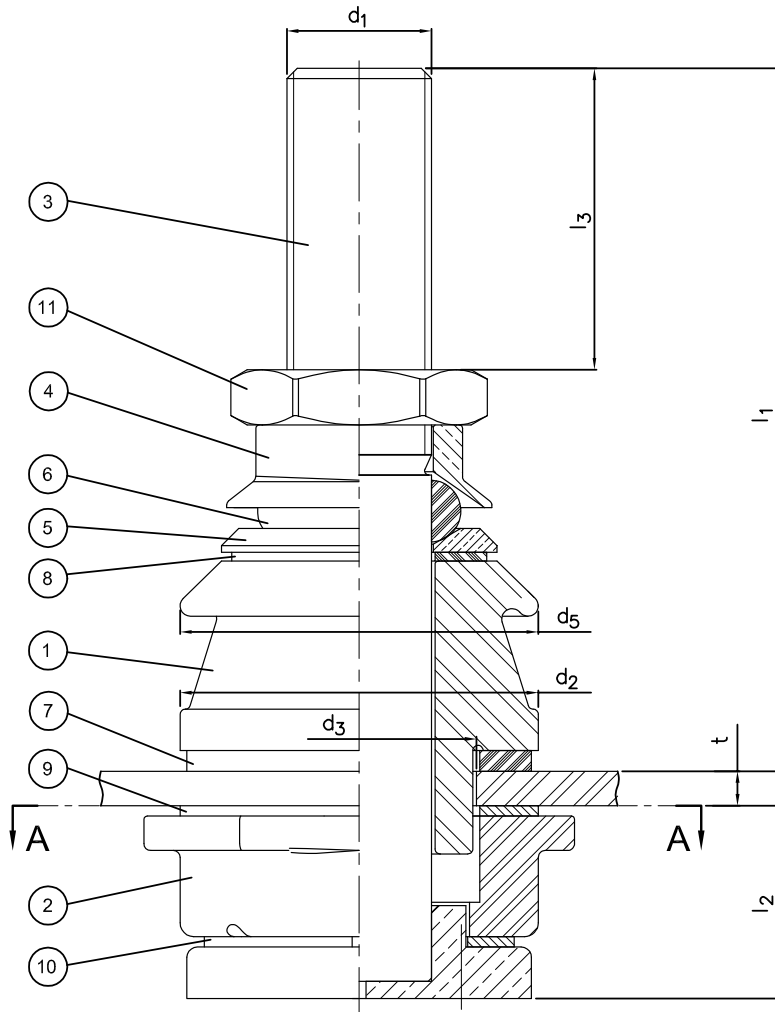
SECTION A-A

All dimensions are "mm" Rated current (A) Creepage distance (mm) Weight (kg)

Type		I_1 max.	I_2 min.	I_3 min.	I_4	t max.	d_1	d_2 max.	d_3 ^{+2 0}	d_4 max.	d_5 max.	d_6			Stem Material (3 Nr. Part)
1/1000	1000	177,5	40	70	268	6	M30x2	90	56	102	90	AA90	75	2,7	Brass
1/1250	2000	177,5	40	70	268	6	M30x2	90	56	102	90	AA90	75	2,8	Copper

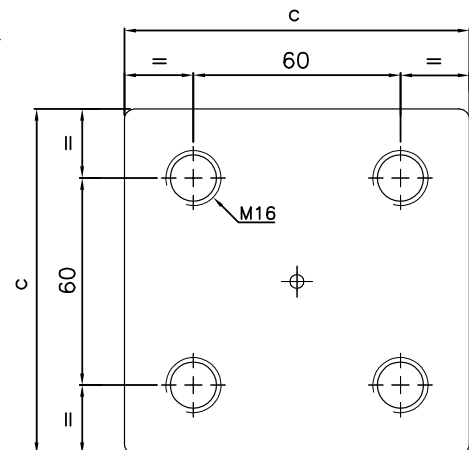
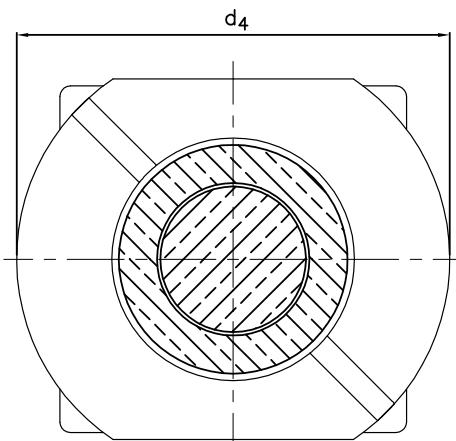
OUTDOOR TRANSFORMER BUSHINGS EN 50386

Rated voltage 1kV Rated current 2000-3150-4000A



Pos.	Qty.	Description
1	1	Top ceramic body
2	1	Bottom ceramic body
3	1	Brass stem
4	1	Brass washer "E"
5	1	Brass washer "G"
6	1	Ring gasket "J"
7	1	Flange gasket (N)
8	1	Flange gasket (M)
9	1	Flange gasket (X)
10	1	Flange gasket (R)
11	1	Brass Nut UNI 5589

SECTION A-A

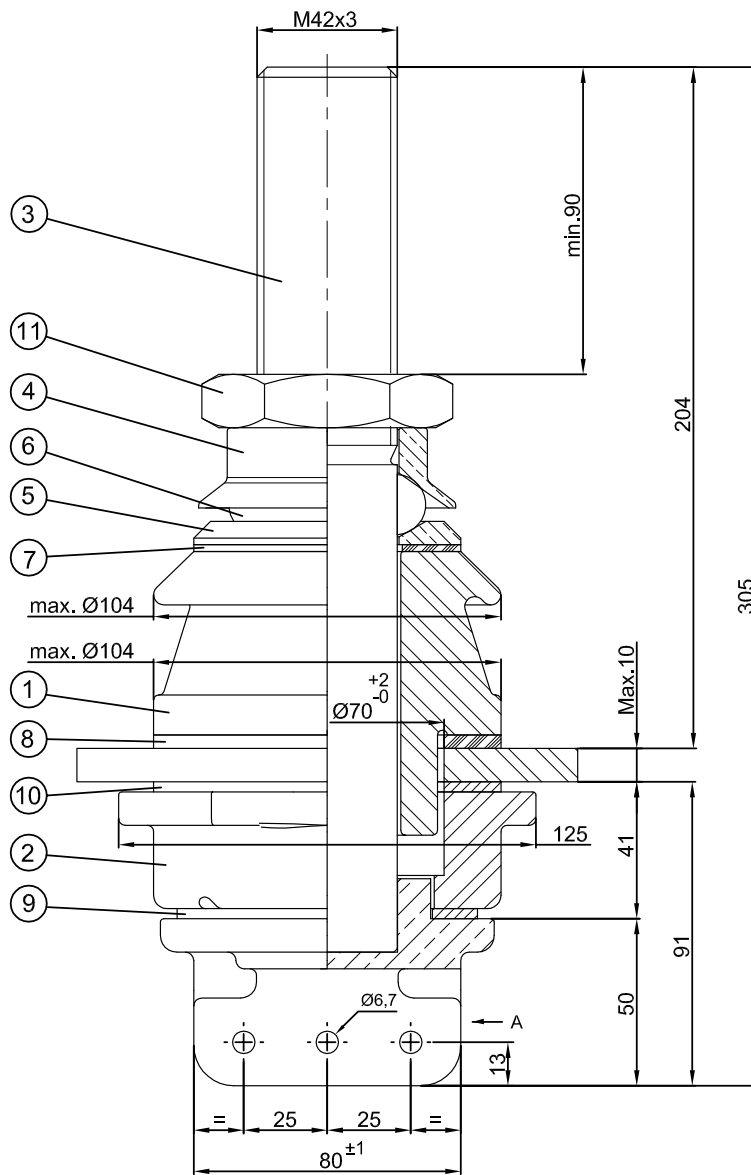


All dimensions are "mm" Creepage distance (mm) Rated current (A) Weight (kg)

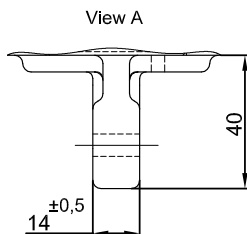
Type		l_1 max.	l_2 min.	t max.	c	d_1	d_2 max.	$d_3^{+2}_0$	d_4 max.	l_3 min.	d_5 max.		
1/2000	2000	240	56	10	100	M42x3	104	70	125	90	104	75	6,2
1/3150	3150	250	56	10	110	M48x3	125	90	150	90	125	75	8,5
1/4000	4000	300	70	10	160	M55x3	160	118	180	110	180	85	18

OUTDOOR TRANSFORMER BUSHINGS EN 50386

Rated voltage 1kV Rated current 2000A



Pos.	Qty.	Description
1	1	Top ceramic body
2	1	Bottom ceramic body
3	1	Stem "AP"
4	1	Brass washer "E"
5	1	Brass washer "G"
6	1	Ring gasket "J"
7	1	Flange gasket "M"
8	1	Flange gasket "N"
9	1	Flange gasket "R"
10	1	Flange gasket "X"
11	1	Half Nut M48



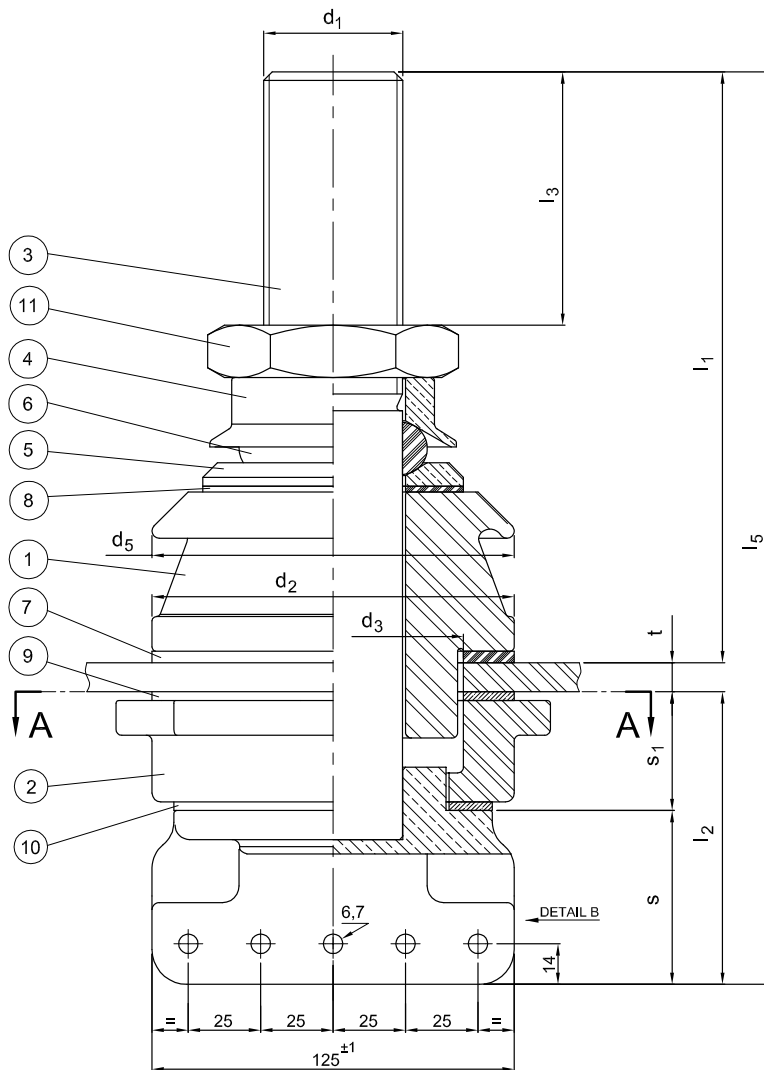
All dimensions are "mm"

Type				Stem Material (3 Nr. Part)
1/2000	2000	75	6,30	Copper

- Rated current (A)
- Creepage distance (mm)
- Weight (kg)

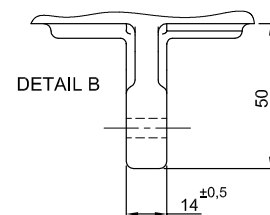
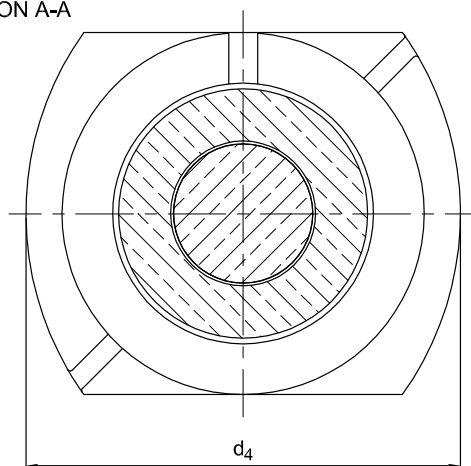
OUTDOOR TRANSFORMER BUSHINGS EN 50386

Rated voltage 1kV Rated current 3150A "AP"



Pos.	Qty.	Description
1	1	Top ceramic body
2	1	Bottom ceramic body
3	1	Stem (Copper+Brass)
4	1	Brass washer "E"
5	1	Brass washer "G"
6	1	Ring gasket "J"
7	1	Flange gasket (N)
8	1	Flange gasket (M)
9	1	Flange gasket (X)
10	1	Flange gasket (R)
11	1	Brass Nut UNI 5589

SECTION A-A

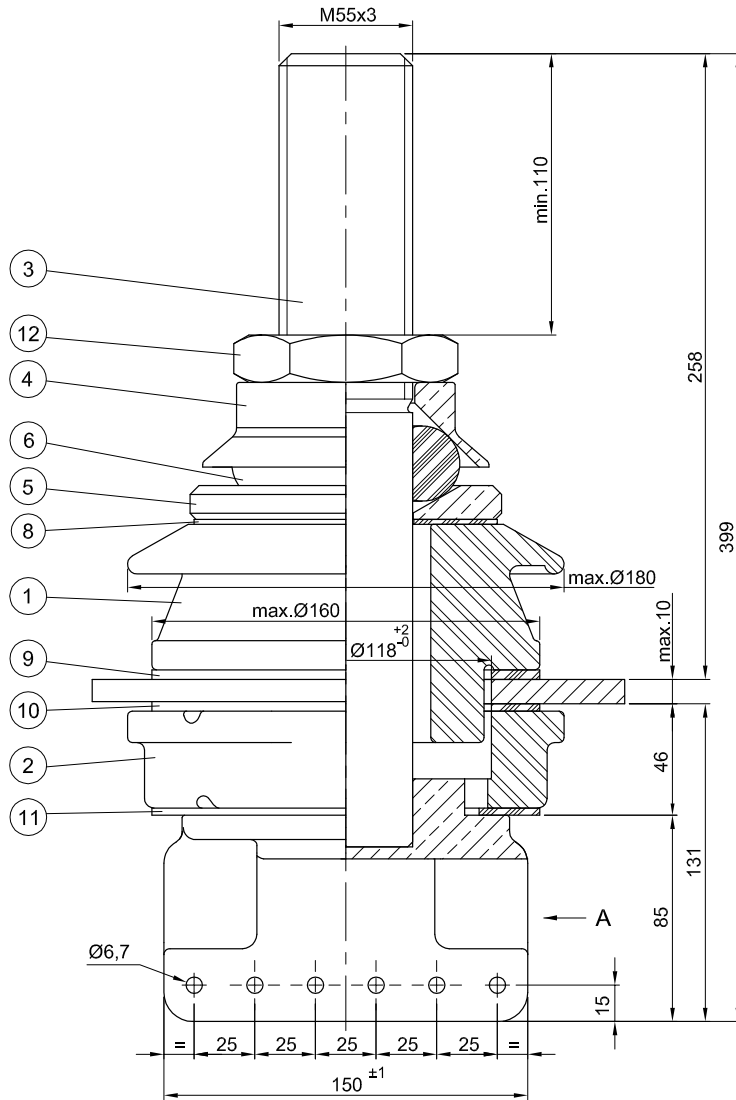


All dimensions are "mm" Rated current (A) Creepage distance (mm) Weight (kg)

Type		l_1 max.	l_2 min.	t max.	s	d_1	d_2 max.	d_3 ^{+2 0}	d_4 max.	s_1	l_3 min.	l_5	d_5 max.		
1/3150	3150	250	101	10	60	M48x3	125	90	150	41	90	315	125	75	8,6

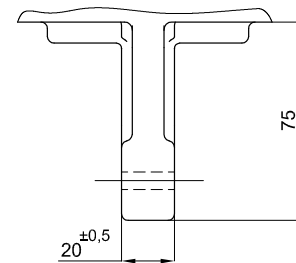
OUTDOOR TRANSFORMER BUSHINGS EN 50386

Rated voltage 1kV Rated current 4000A "AP"



Pos.	Qty.	Description
1	1	Top ceramic body
2	1	Bottom ceramic body
3	1	Stem (Copper+Brass)
4	1	Brass washer "E"
5	1	Brass washer "G"
6	1	Ring gasket "J"
7	1	Flange gasket (M)
8	1	Flange gasket (N)
9	1	Flange gasket (X)
10	1	Flange gasket (R)
11	1	Brass Nut UNI 5589

View A



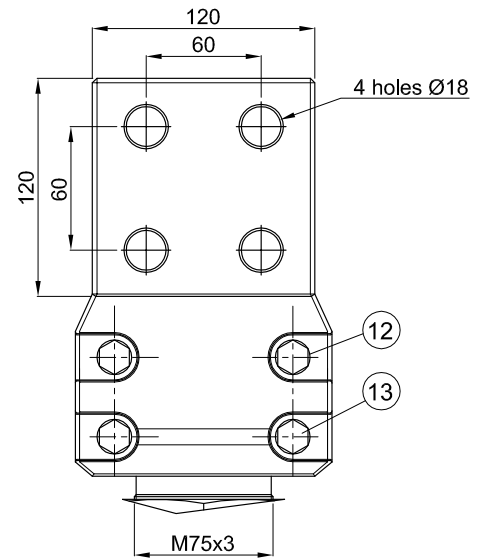
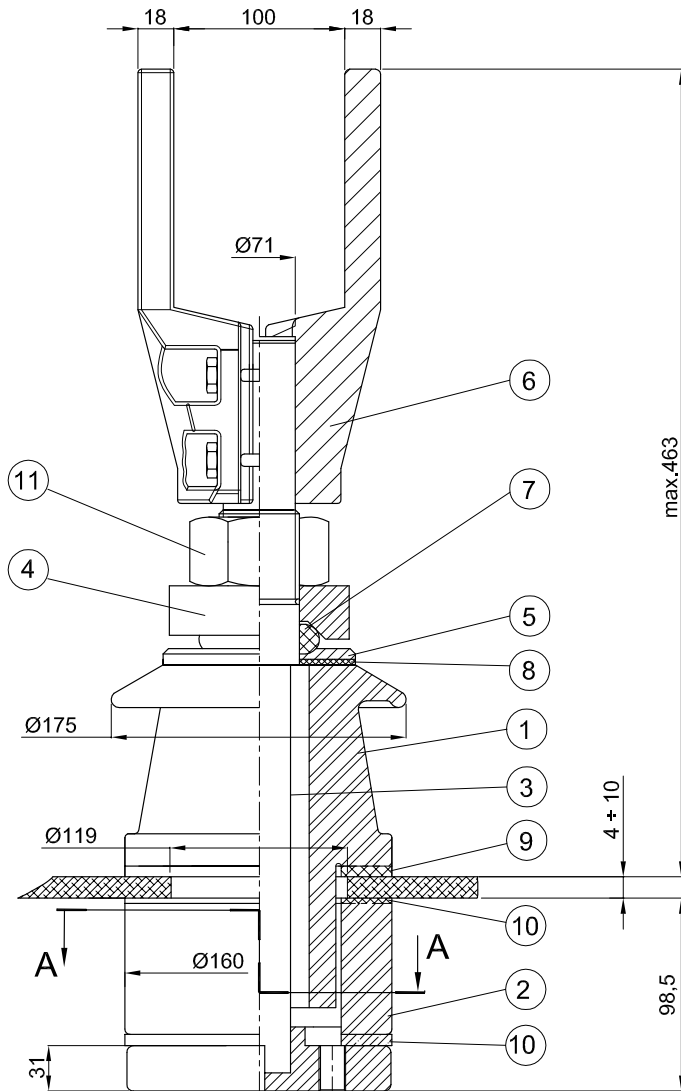
All dimensions are "mm"

Type			
1/4000	4000	85	15,5

- Rated current (A)
- Creepage distance (mm)
- Weight (kg)

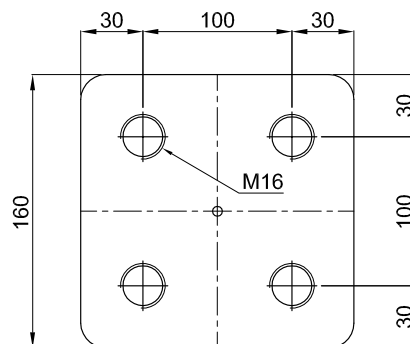
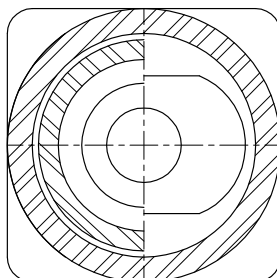
OUTDOOR TRANSFORMER BUSHINGS

Rated voltage 3kV Rated current 6300A



Pos.	Qty.	Description
1	1	Top ceramic body
2	1	Bottom ceramic body
3	1	Stem
4	1	Brass washer "E"
5	1	Brass washer "G"
6	1	Brass flag
7	1	Ring gasket "J"
8	1	Flange gasket "M"
9	1	Flange gasket "N"
10	1	Flange gasket "X"
11	1	Brass Nut M75
12	1	Washer M12
13	1	Bolt M12x65

SECTION A-A



All dimensions are "mm"

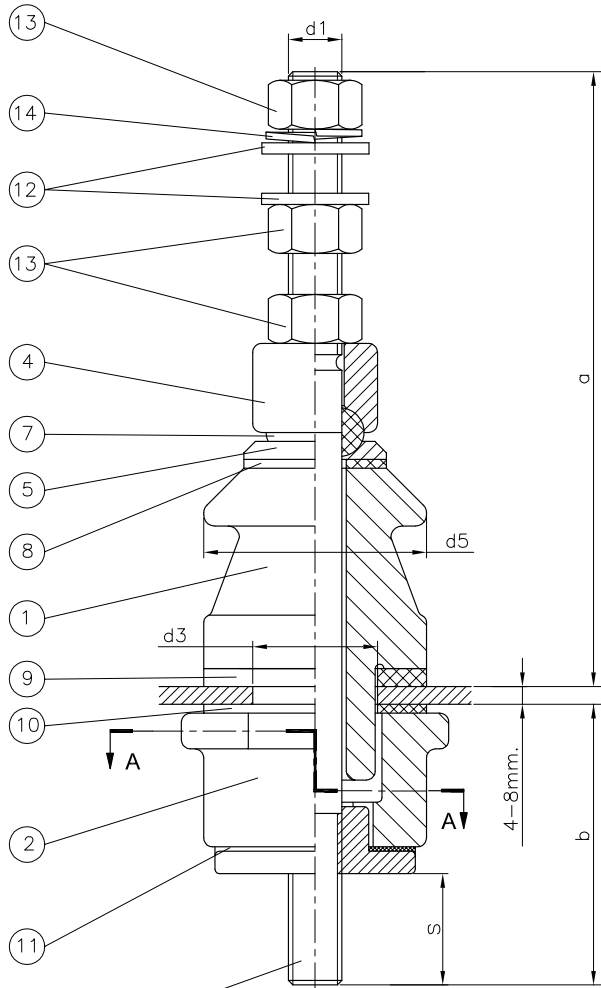
Type				Stem Material (3 Nr. Part)
3/6300	6300	140	42	Copper

- Rated current (A)
- Creepage distance (mm³)
- Weight (kg)

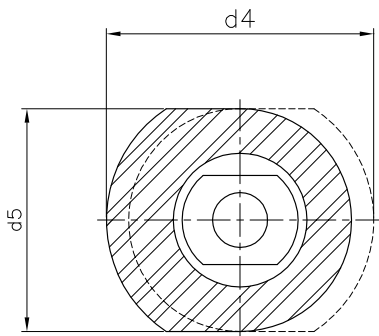
FOR OIL TYPE TRANSFORMER

OUTDOOR TRANSFORMER BUSHINGS DIN 42 530

Rated voltage 1kV Rated current 250-630A



Pos.	Qty.	Description
1	1	Top porcelain "A"
2	1	Bottom porcelain "B"
3	1	Brass stem
4	1	Brass washer "E"
5	1	Brass washer "G"
7	1	Ring gasket "J"
8	1	Plain gasket (M1)
9	1	Flange gasket (N)
10	1	Internal gasket (O)
11	1	Internal gasket (P)
12	2	Brass washer DIN 125
13	3	Brass Nut ISO 4032
14	1	Spring washer DIN 127



A:A Section

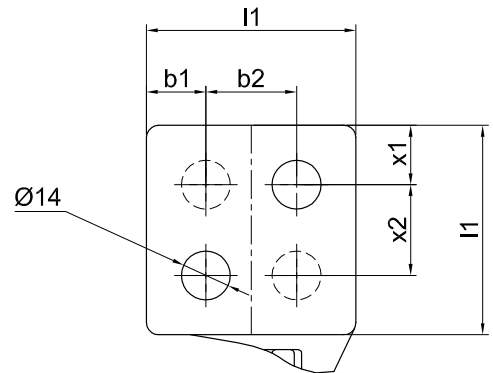
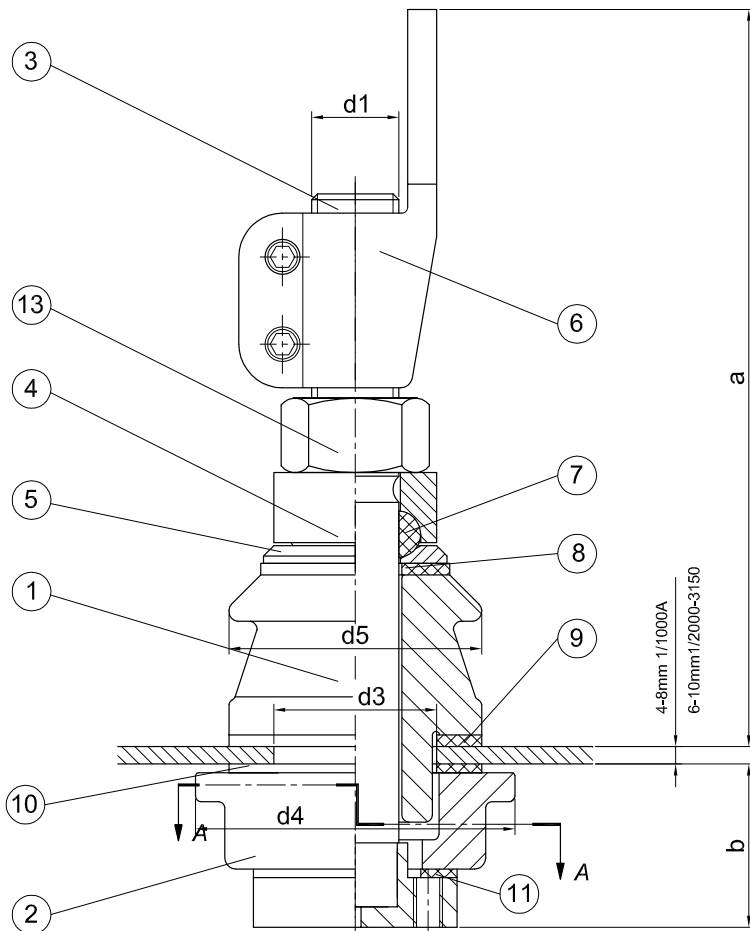
⊕ Rated current (A)
 ⊗ Creepage distance (mm)
 ⊘ Weight (kg)
 ● Volume (dm³)

Type	⊕	a max	b max	s ±0.3	d1	d3	d4	d5	⊗	⊘	●
1/250	250	138	68	25	M12	28	60	50	55	0.8	1.7
1/630	630	178	82	37	M20	45	85	70	70	2.2	3.7

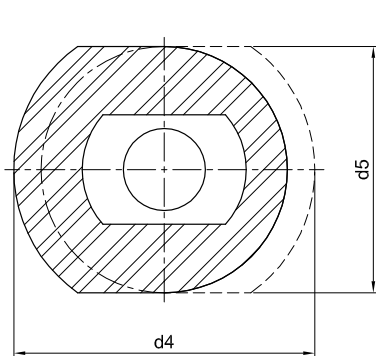
OUTDOOR TRANSFORMER BUSHINGS DIN 42 530

Rated Voltage 1kV Rated Current 1000-2000-3150A

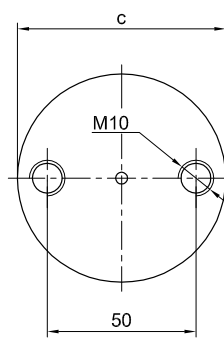
Type A1



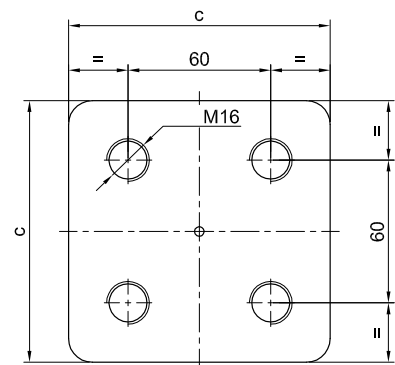
Pos.	Qty.	Description
1	1	Top porcelain "A"
2	1	Bottom porcelain "B"
3	1	Stem
4	1	Brass washer "E"
5	1	Brass washer "G"
6	1	Brass flag DIN 43675-EP
7	1	Ring gasket "J"
8	1	Plain gasket (M)
9	1	Flange gasket (N)
10	1	Internal gasket (X)
11	1	Internal gasket (R)
13	1	Brass nut ISO 4032
15	1	Brass closing piece
16	2	Bolt ISO 4017
18	2	Washer DIN 125



A-A SECTION



1/1000A



1/2000-3150A

⊕ Rated current (A)

⊖ Weight (kg)

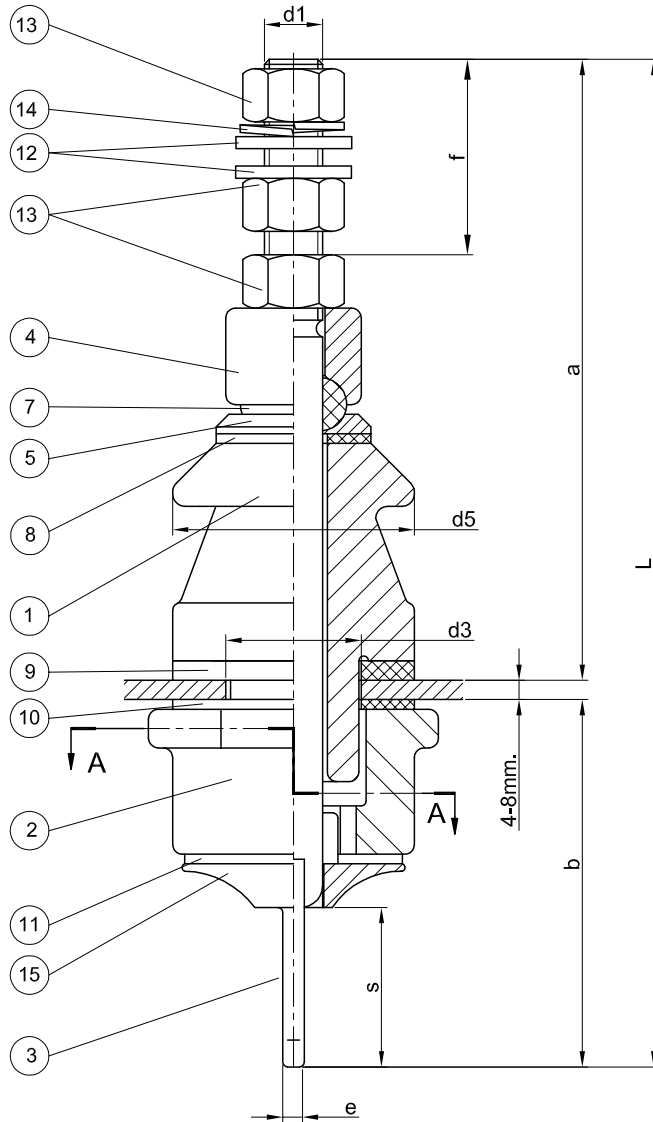
⊗ Creepage distance (mm)

● Volume (dm³)

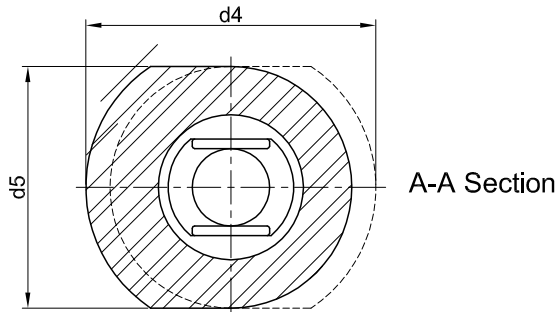
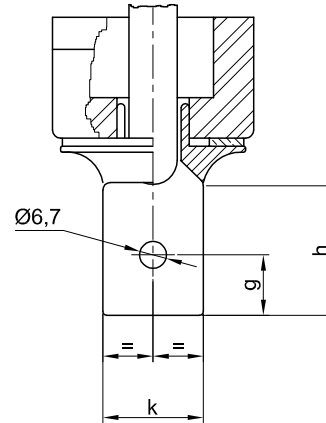
Type	⊕	a max	b max	c	d1	d3	d4	d5	x1	x2	b1	b2	l1	⊗	⊖	●
1/1000	1250	263	60	70	M30x2	56	110	90	17	26	17	26	60	75	4,8	6,1
1/2000	2000	340	70	100	M42x3	70	125	104	20	40	25	50	100	75	11	11,5
1/3150	3150	372	75	110	M48x3	90	150	125	20	40	30	60	120	75	15	14

OUTDOOR TRANSFORMER BUSHINGS

Type "AP/250-630" Rated voltage 1kV



Pos.	Qty.	Description
1	1	Top porcelain "A"
2	1	Bottom porcelain "B"
3	1	Brass stem "EP"
4	1	Brass washer "E"
5	1	Brass washer "G"
7	1	Ring gasket "J"
8	1	Plain gasket (M)
9	1	Flange gasket (N)
10	1	Internal gasket (O)
11	1	Internal gasket (P)
12	2	Brass contact washer DIN 125
13	3	Brass nut ISO 4032
14	1	Spring washer DIN 127
15	1	Brass closing piece "EP"

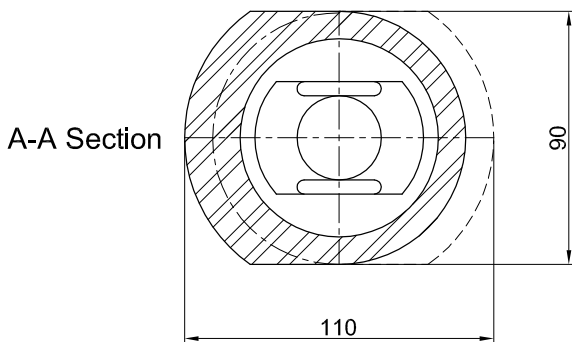
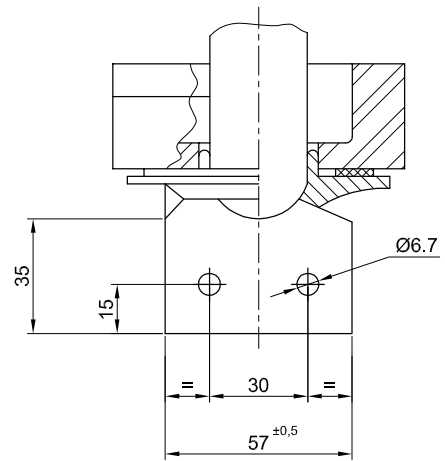
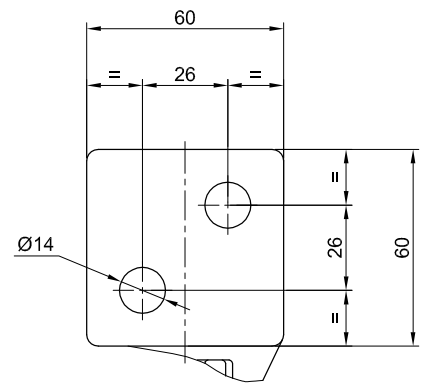
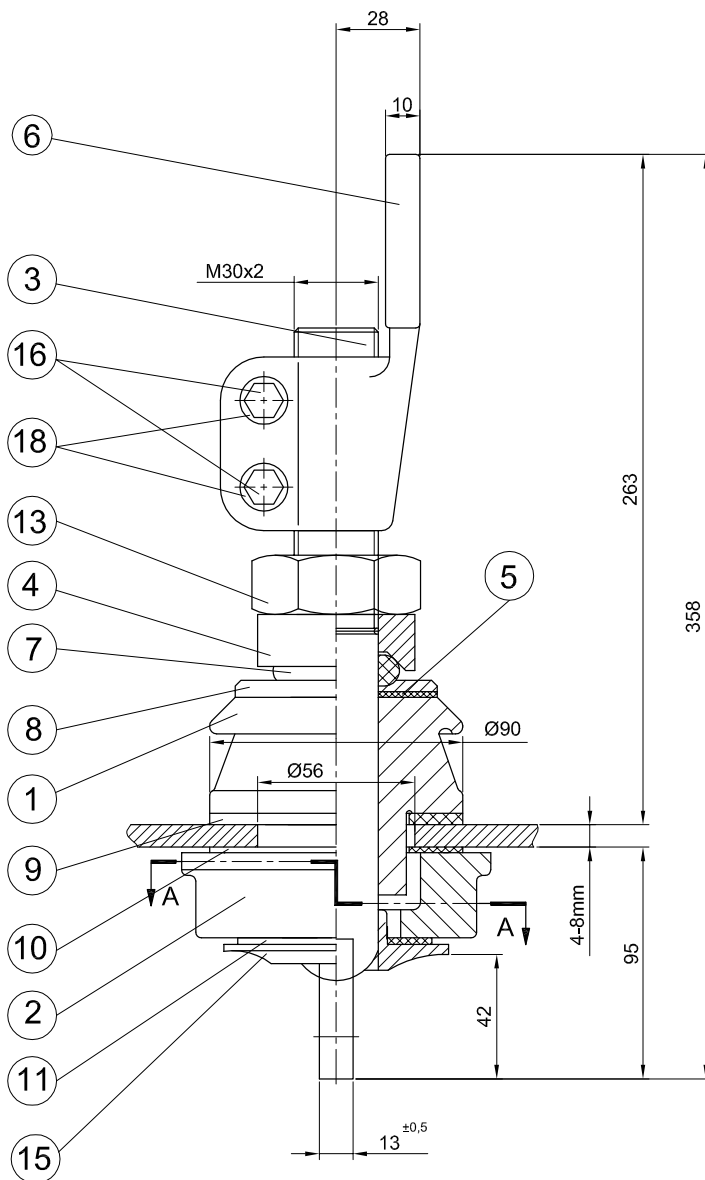


- ⊕ Rated current (A)
- ⊗ Creepage distance (mm)
- ⊙ Weight (kg)
- Volume (dm³)

Type	⊕	a max	b max	e	f	g	h	k	L	s	d1	d3	d4	d5	⊗	⊙	●
AP/250	250	136	82	4,5	50	15	33	25	218	33	M12	28	60	50	55	0,8	1,7
AP/630	630	175	95	8	65	10	35	32	265	35	M20	45	85	70	70	2,2	3,7

OUTDOOR TRANSFORMER BUSHINGS TYPE "AP/1000"

Rated Voltage 1kV, Rated Current 1000A



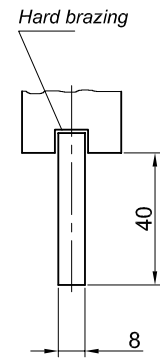
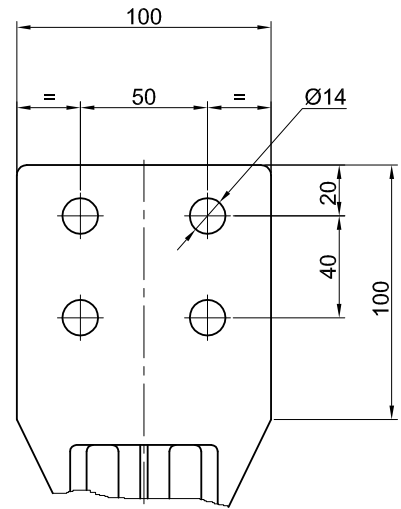
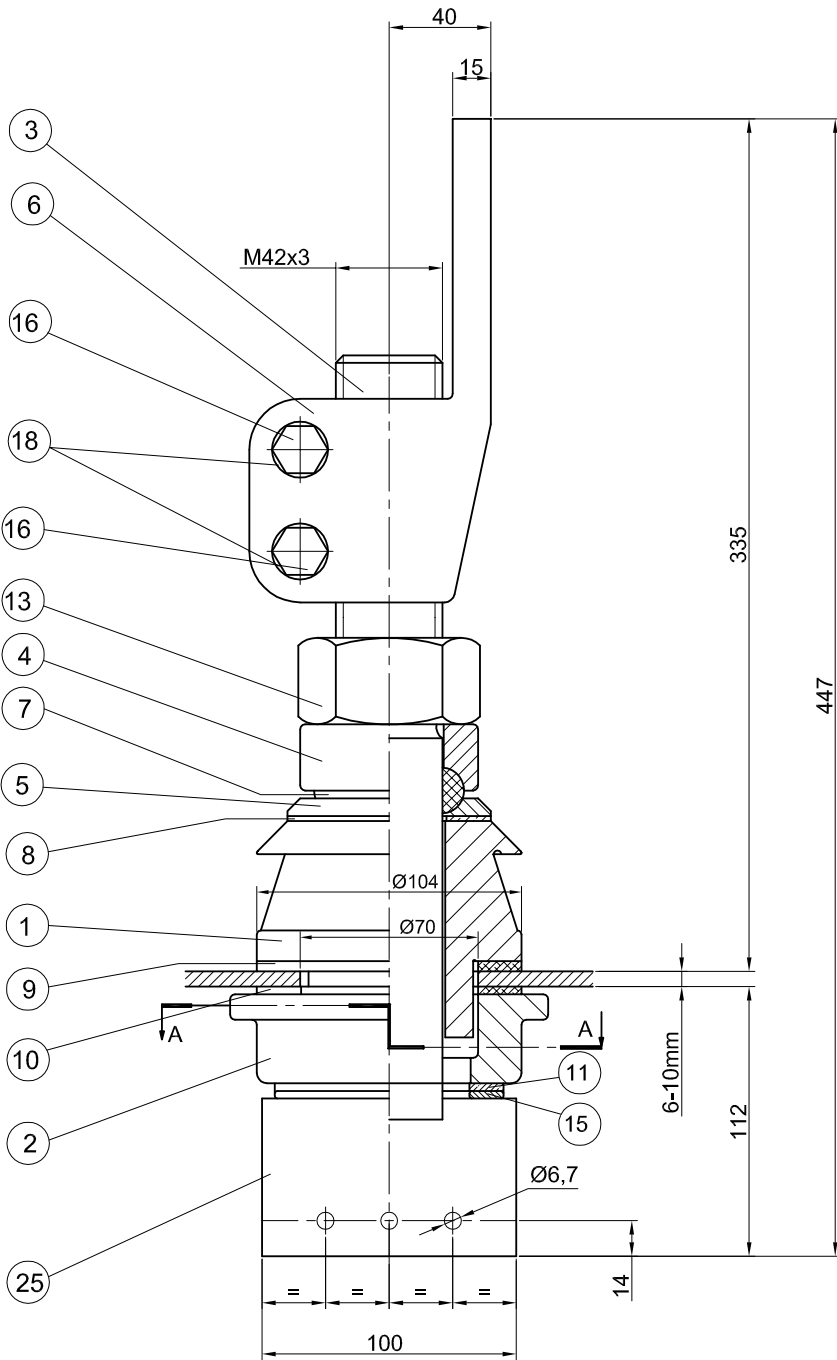
Weight : 4,8 kg

Volume: 6,1 dm³

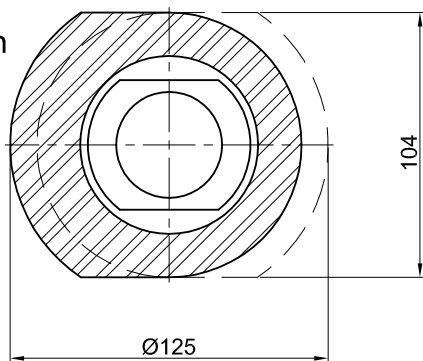
Pos.	Qty.	Description
1	1	Top porcelain "A"
2	1	Bottom porcelain "B"
3	1	Bras stem "EP"
4	1	Brass washer "E"
5	1	Brass washer "G"
6	1	Brass flag
7	1	Ring gasket "J"
8	1	Plain gasket (M)
9	1	Flange gasket (N)
10	1	Internal gasket (X)
11	1	Internal gasket (R)
13	1	Brass nut ISO 4032
15	1	Brass closing piece "EP"
16	2	Bolt ISO 4017
18	2	Washer DIN 125

OUTDOOR TRANSFORMER BUSHINGS TYPE "AP/2000"

Rated Voltage 1kV, Rated Current 2000A



A-A Section



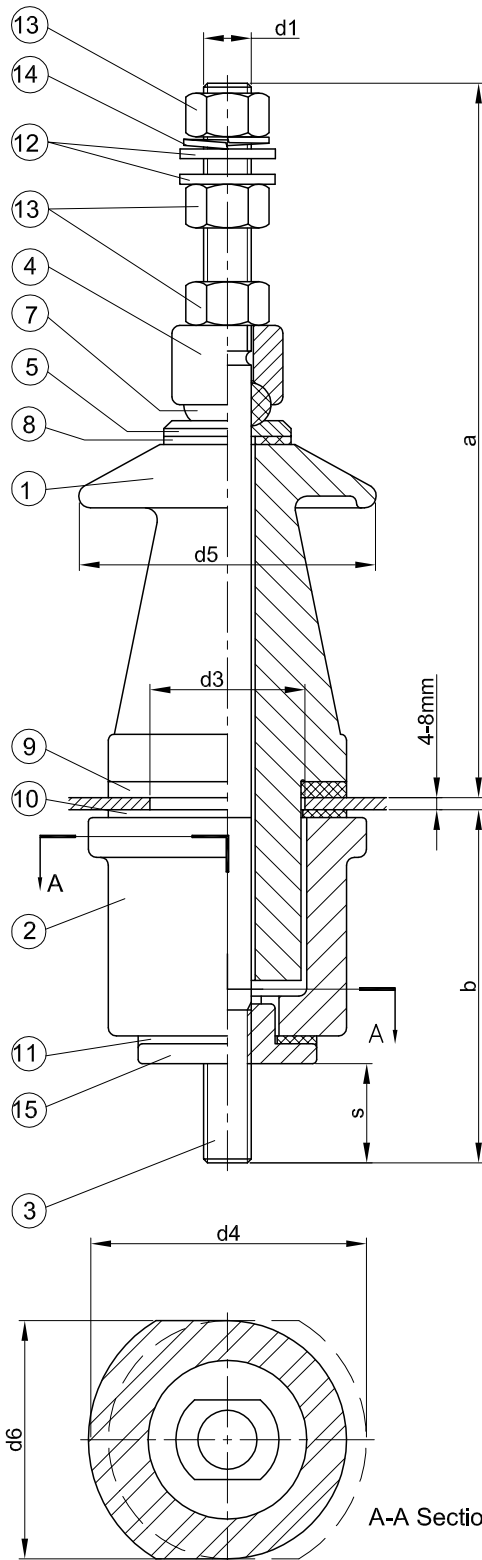
Pos.	Qty.	Description
1	1	Top porcelain "A"
2	1	Bottom porcelain "B"
3	1	Brass stem
4	1	Brass washer "E"
5	1	Brass washer "G"
6	1	Brass flag DIN 43675 (EP)
7	1	Ring gasket "J"
8	1	Plain gasket (M)
9	1	Flange gasket (N)
10	1	Internal gasket (X)
11	1	Internal gasket (R)
13	1	Brass nut ISO 4032
15	1	Brass closing washer
16	2	Bolt ISO 4017
18	2	Washer DIN 125
25	1	Spade connector

● Weight: 10 kg

● Volume: 11 dm³

OUTDOOR TRANSFORMER BUSHINGS DIN 42539

Rated Voltage 3,6kV, Rated Current 250-630A



Pos.	Qty.	Description
1	1	Top porcelain "A"
2	1	Bottom porcelain "B"
3	1	Brass stem
4	1	Brass washer "E"
5	1	Brass washer "G"
7	1	Ring gasket "J"
8	1	Plain gasket (M)
9	1	Flange gasket (N)
10	1	Internal gasket (O)
11	1	Internal gasket (P)
12	2	Brass contact washer DIN 125
13	3	Brass nut ISO 4032
14	1	Spring washer DIN 127
15	1	Brass closing piece

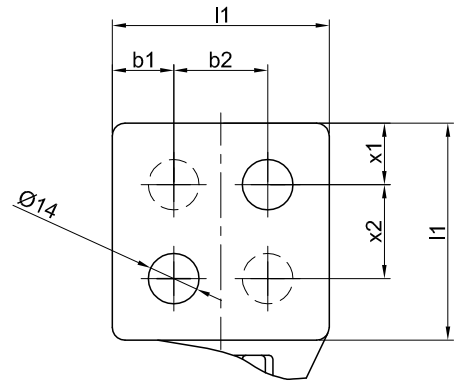
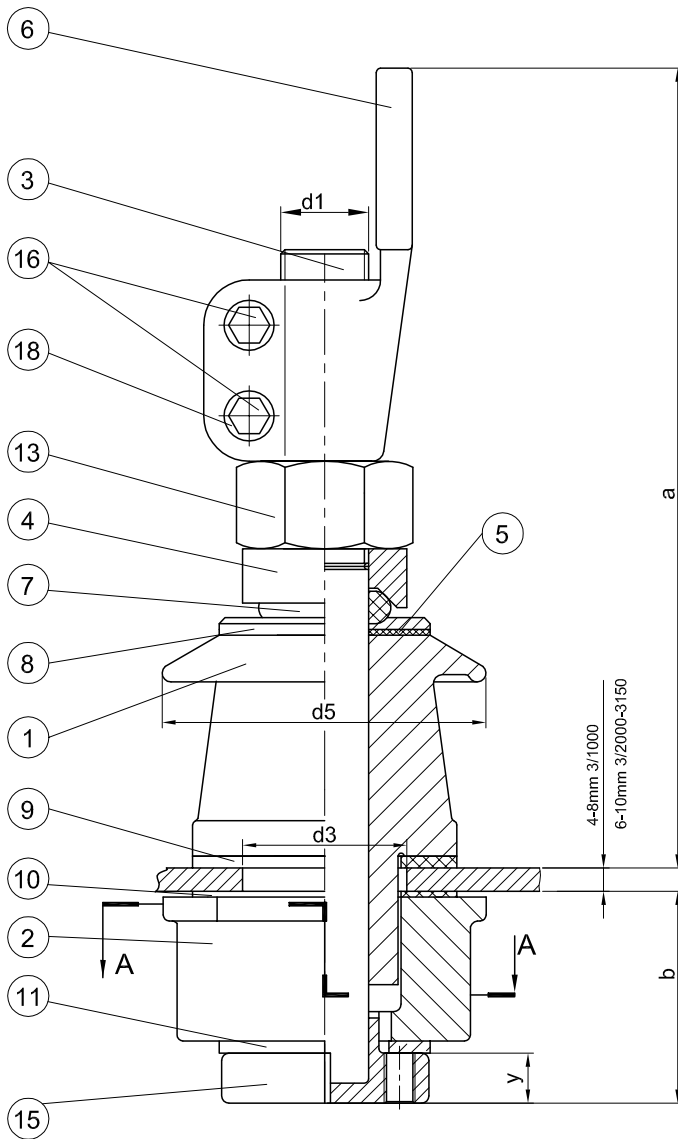
- ⊕ Rated current (A)
- ⊗ Creepage distance (mm)
- ⊙ Weight (kg)
- Volume (dm³)

*Note: Detail 1 and 2 are for special requests out of DIN Norm

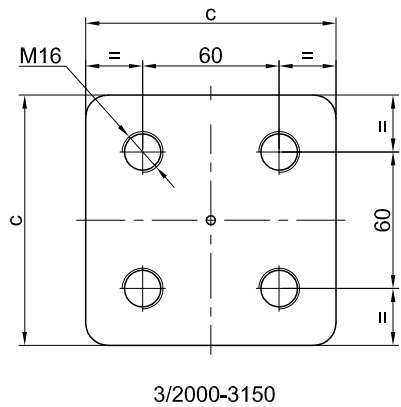
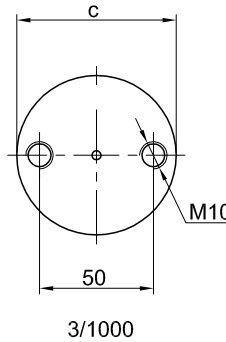
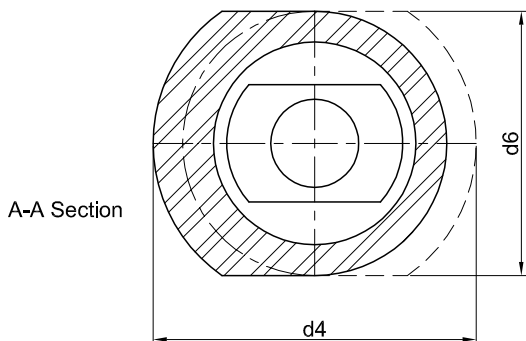
Type	⊕	a max	b max	s	d1	d3	d4	d5	⊗	⊙	●
3/250	250	180	94	25	M12	39	70	75	120	1,0	2,7
3/630	630	210	110	37	M20	45	85	90	120	2,5	4,8

OUTDOOR TRANSFORMER BUSHINGS DIN 42539

Rated Voltage 3,6kV, Rated Current 1000/2000/3150A



Pos.	Qty.	Description
1	1	Top porcelain "A"
2	1	Bottom porcelain "B"
3	1	Stem
4	1	Brass washer "E"
5	1	Brass washer "G"
6	1	Brass flag DIN 43675 (FP)
7	1	Ring gasket "J"
8	1	Plain gasket (M)
9	1	Flange gasket (N)
10	1	Internal gasket (X)
11	1	Internal gasket (R)
13	1	Brass nut ISO 4032
15	1	Brass closing piece
16	2	Bolt ISO 4017
18	2	Washer DIN 125



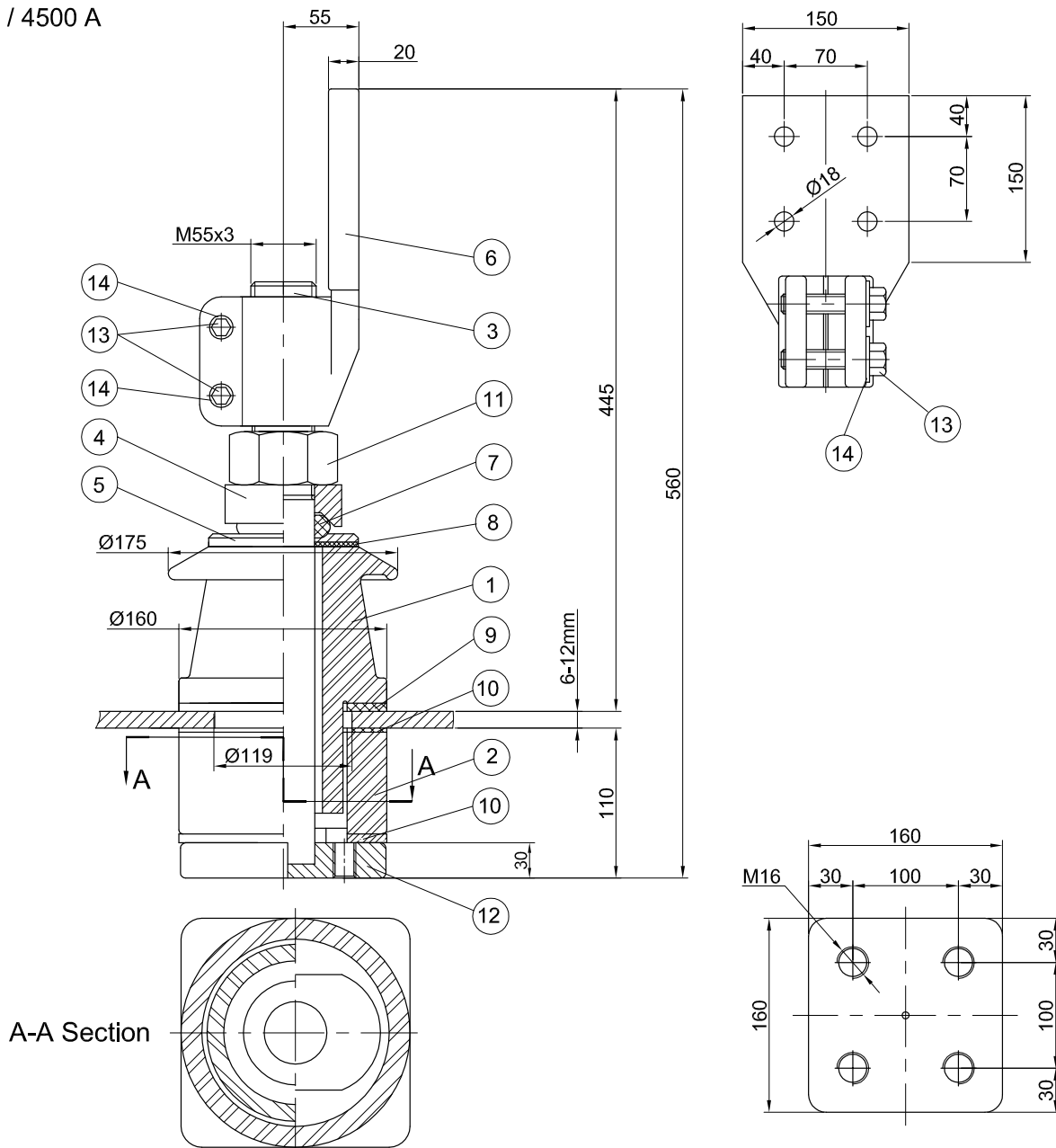
- ⊕ Rated current (A)
- ⊗ Creepage distance (mm)
- ⊙ Weight (kg)
- Volume (dm³)

Type	⊕	a max	b max	c	y	d1	d3	d4	d5	x1	x2	b1	b2	l1	⊗	⊙	●
3/1000	1250	294	80	70	17	M30x2	56	110	110	17	26	17	26	60	125	6	8
3/2000	2000	372	86	100	22	M42x3	70	125	125	20	40	25	50	100	125	13	15
3/3150	3150	404	92	110	27	M48x3	90	150	145	20	40	30	60	120	125	18	20

OUTDOOR TRANSFORMER BUSHINGS

Rated Voltage 3,6 kV

3kV / 4500 A



Pos.	Qty.	Description	Pos.	Qty.	Description
1	1	Top porcelain "A"	9	1	Flange gasket "N"
2	1	Bottom porcelain "B"	10	2	Internal gasket "X"
3	1	Stem	11	1	Brass nut ISO 4032
4	1	Brass washer "E"	12	1	Brass closing piece
5	1	Brass washer "G"	13	2	Bolt ISO 4017
6	1	Brass flag (Brass)	14	2	Washer
7	1	Ring gasket "J"			
8	1	Plain gasket "M"			

- ⊕ Rated current (A)
- ⊗ Creepage distance (mm.)
- ⊙ Weight (kg)
- ⊖ Volume (dm³)

Type	⊕	⊗	⊙	⊖
3/4500	4500	130	32	30

INDOOR AND OUTDOOR TRANSFORMER BUSHINGS DIN 42 531**Rated current 250A**

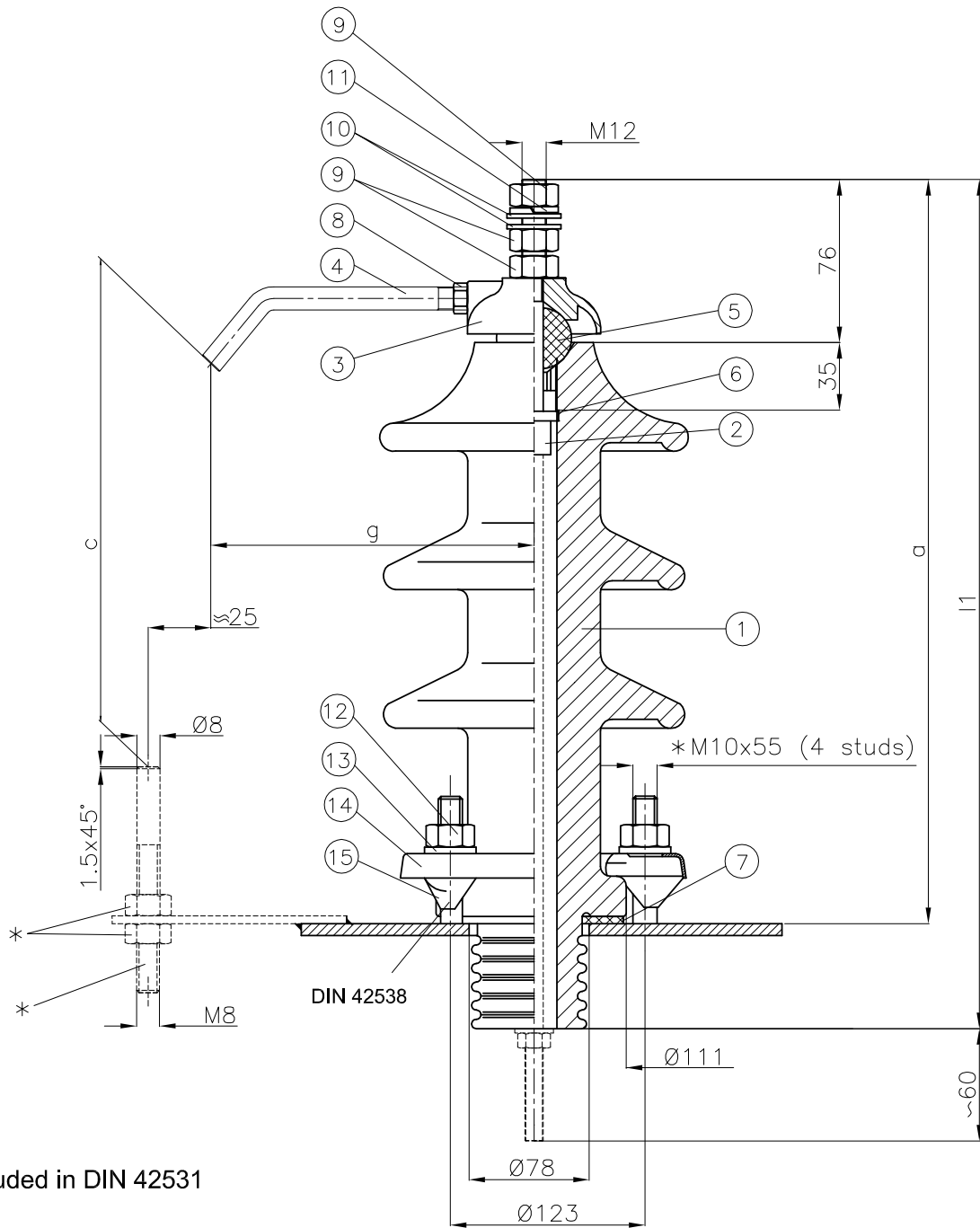
Pos.	Qty. for						Name of the material	Description
	Type 10Ni	Type 10Nf	Type 20Ni	Type 20Nf	Type 30Ni	Type 30Nf		
1	1	-	-	-	-	-	Porcelain	10 Ni DIN 42531
	-	1	1	-	-	-		10 Nf DIN 42531
	-	-	-	1	1	-		20 Nf DIN 42531
	-	-	-	-	-	1		30 Nf DIN 42531
2	1	1	1	1	1	1	Brass bolt	"D" DIN 42531
3	1	1	1	1	1	1	Brass cap	"E" DIN 42531
4	1	-	1	-	1	-	Top arcing horn	K1 DIN 42531
	-	1	-	1	-	-		K2 DIN 42531
	-	-	-	-	-	1		K3 DIN 42531
5	1	1	1	1	1	1	Sealing ring	"J" DIN 42531
6	1	1	1	1	1	1	Internal gasket	"O" DIN 42531
7	1	1	1	1	1	1	Flange gasket	"N" DIN 42531
8	1	1	1	1	1	1	Steel nuts	M8 ISO 4032-5
9	3	3	3	3	3	3	Brass nuts	M12 ISO 4032 Ms
10	2	2	2	2	2	2	Brass washer	13 DIN 125-Ms
11	1	1	1	1	1	1	Spring washer	12 DIN 43699
12	4	4	4	4	4	4	Steel nuts	M10 ISO 4032-5
13	4	4	4	4	4	4	Steel washer	10,5 DIN 125
14	1	1	1	1	1	1	Fixing ring	"A" DIN 42538
15	4	4	4	4	4	4	Alu-clamping	"E" DIN 42538

ORDERING SYSTEM

- 1) When ordering, products should be described according to DIN Norm designation.
Example: 20kV, 250A, outdoor type high voltage bushing designation is DT 20 NF DIN 42531
- 2) In addition to the above designation, the following component options should be indicated by the customer;
 - Gasket materials (Cork, Organic Fiber, NBR rubber, Presspaper)
 - Steel parts (Stainless Steel, Metal plated)
 - Additional requirements not included in DIN Norm (Bottom-arcing horn and related fixing parts, additional welded extension stud)
 - Additional plating of brass and copper parts (Tin, Silver)
 - Main bolt (D-Bolt) material (Brass, Copper)
 - Diameter of the bottom hole of the main bolt
- 3) If the above options are not indicated by the customer, the product DIN 42531 will be supplied with the following standard properties;
 - Cork gaskets
 - Steel parts are zinc plated
 - Without bottom-arcing horn and related fixing parts and without welded extension stud
 - Brass main bolt
 - Bottom hole diameter of the main bolt is $\varnothing 5$ mm

INDOOR AND OUTDOOR TRANSFORMER BUSHINGS DIN 42 531

Rated current 250A

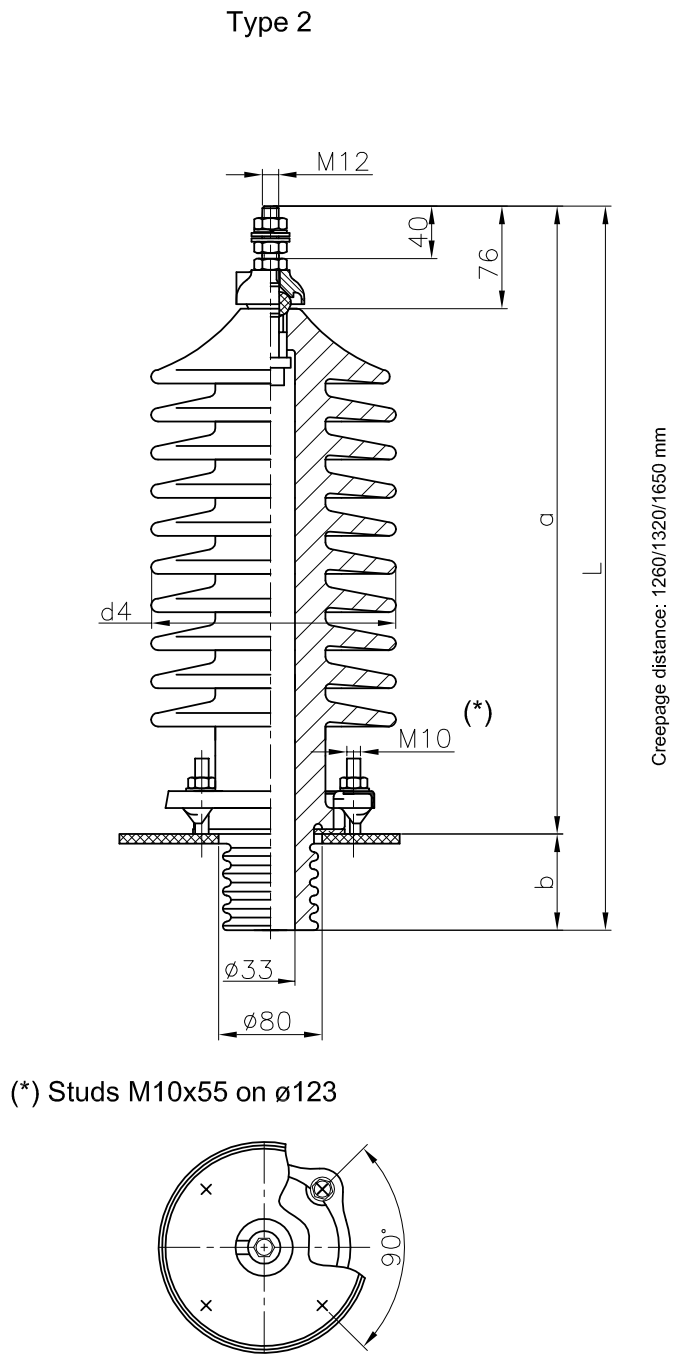
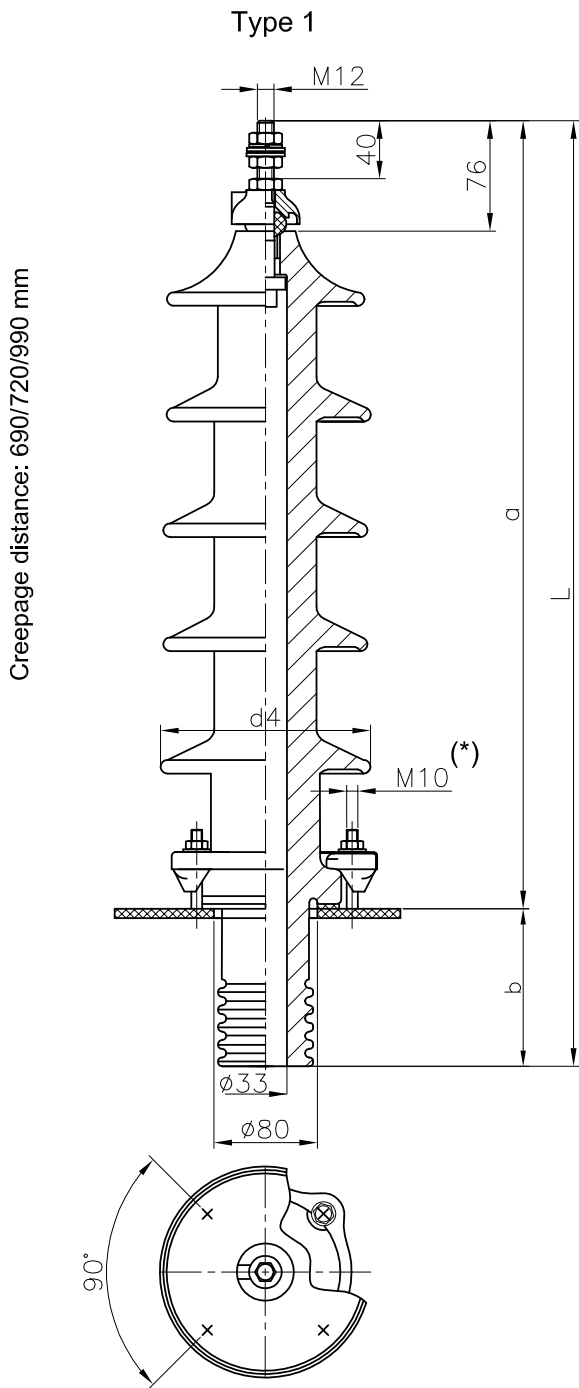


Not included in DIN 42531

Type	Class		a	c	g	l1
	Outdoor (f)	Indoor (i)				
10 Ni 250	-	10N	260	85	135	321
10 Nf 250	10 N	-	310	85	150	371
20 Ni 250	-	20 N	310	155	135	371
20 Nf 250	20 N	-	385	155	150	461
30 Ni 250	-	30 N	385	220	135	461
30 Nf 250	30 N	-	485	220	170	561

OUTDOOR TRANSFORMER BUSHINGS

Rated current 250A



(*) Studs M10x55 on $\phi 123$

Rv- Rated voltage (kV)

Weight (kg)

Creepage distance

Volume (dm³)

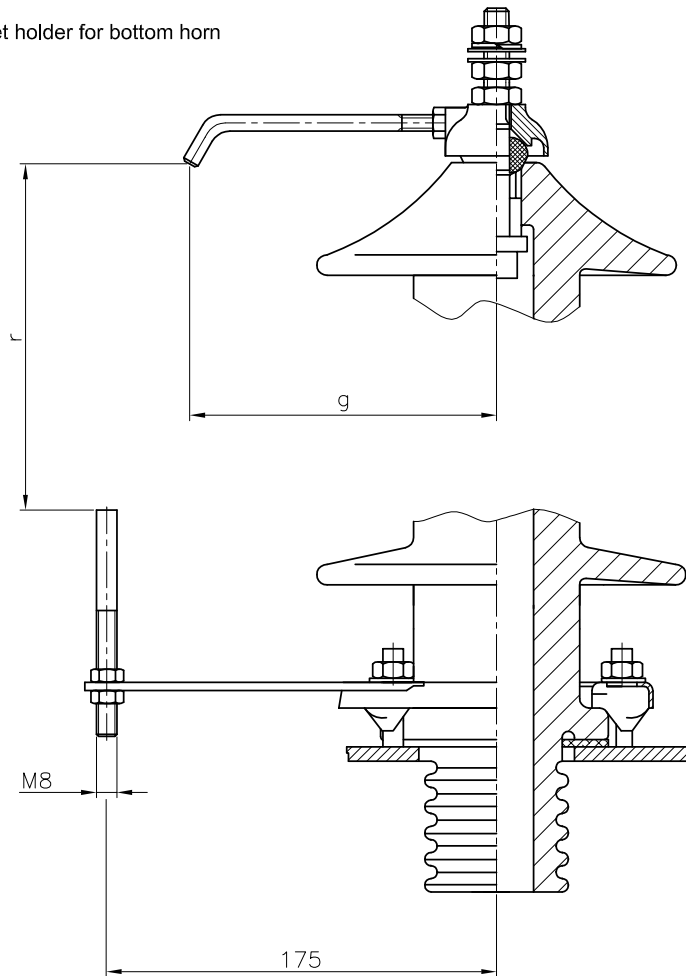
Type	Rv	a	b	L	d4	Creepage distance	Weight (kg)	Volume (dm ³)
30/250-690	36	497	76	573	180	690	8	28
30/250-720	36	481	80	561	170	720	9	36
33/250/990	36	526	90	616	188	990	10	31
33/250/1260	36	541	76	616	180	1260	11	31
33/250/1320	36	576	90	666	180	1320	12	33
33/250/1650	36	646	100	746	185	1650	15	35

OUTDOOR TRANSFORMER BUSHINGS

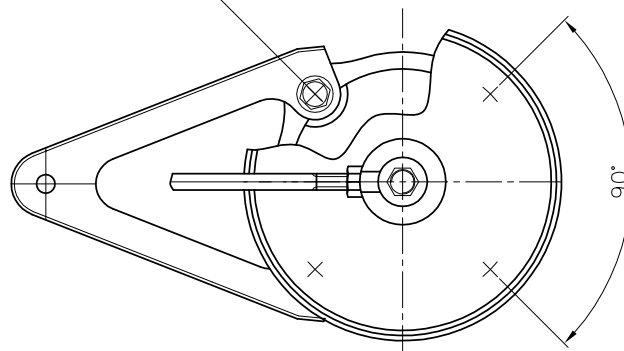
Construction with "V" support

Rated current 250A

Arcing horns with "V" bracket holder for bottom horn



4 Studs M10x55 on $\phi 123$



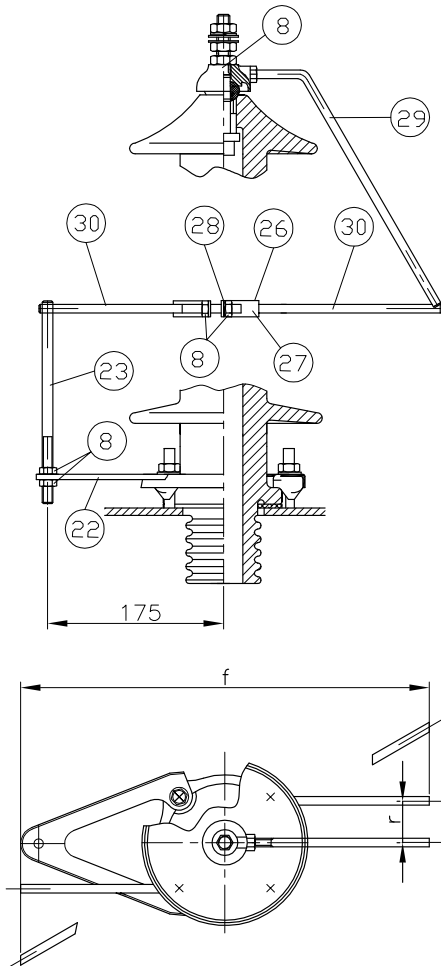
type	r	g
10 Nf/250	85	150
20 Nf/250	155	150
30 Nf/250	220	170

OUTDOOR TRANSFORMER BUSHINGS

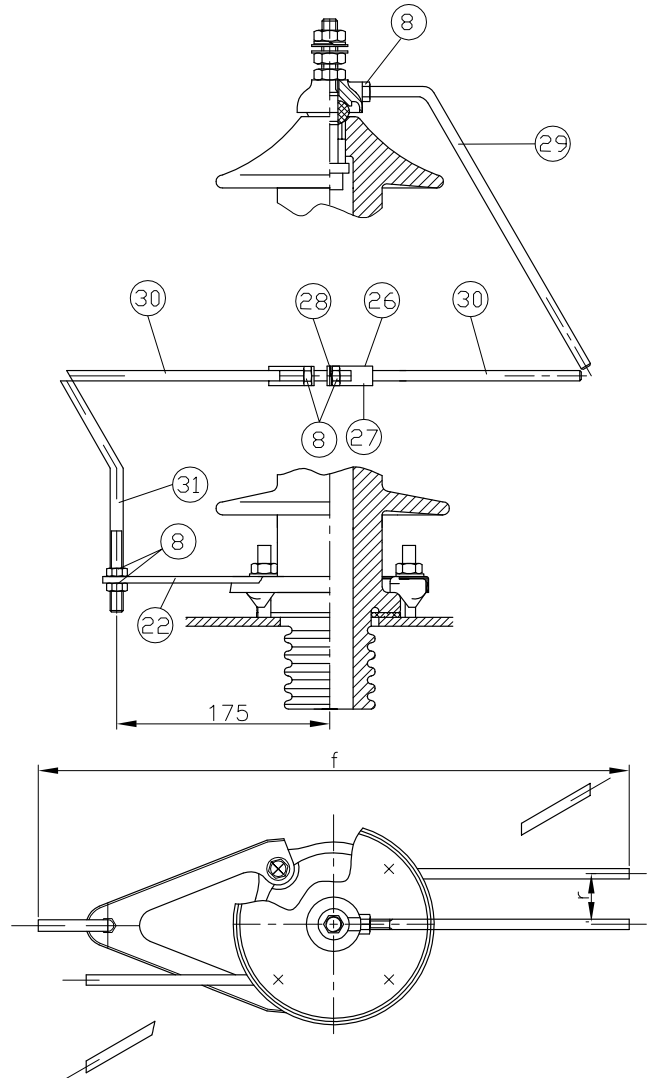
Special applications for high creepages

Rated current 250A

Type 20NF



Type 30 NF

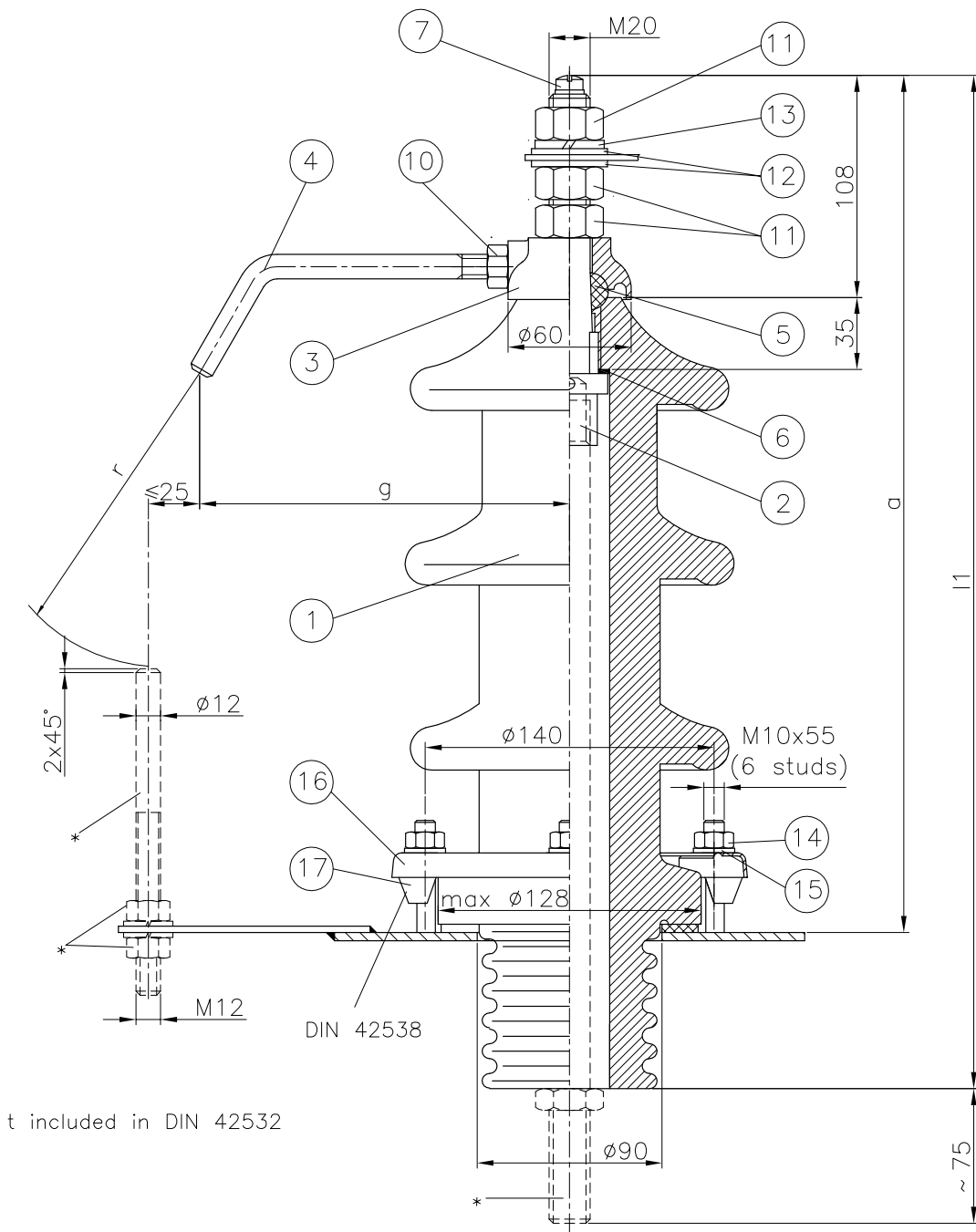


Pos.	Qty.	Description
8	7	Steel nut M8 ISO 4032
22	1	Steel "V" bracket
23	1	Bottom arcing horn
26	2	Rubber gasket
27	2	Half-collar
28	2	Spring washer DIN 127
29	1	Top arcing horn
30	2	Medium arcing horn
31	1	Bottom arcing horn

Type	Voltage	f	r
20/250	20NF	385	50
30/250-580-690	30NF	485	
40/250	30NF	485	
33/250-990	30NF	485	
33/250-1260-1320	30NF	485	
33/250-1650	30NF	485	

INDOOR AND OUTDOOR TRANSFORMER BUSHINGS DIN 42 532

Rated current 630A



Type	Class		a	r	g	l1
	Outdoor (f)	Indoor (i)				
10 Ni 630	-	10N	292	85	165	353
10 Nf 630	10 N	-	342	85	180	403
20 Ni 630	-	20 N	342	155	165	403
20 Nf 630	20 N	-	417	155	180	493
30 Ni 630	-	30 N	417	220	165	493
30 Nf 630	30 N	-	522	220	200	618

OUTDOOR TRANSFORMER BUSHINGS DIN 42 532**Rated current 630A**

Pos.	Qty. for						Name of the material	Description
	Type 10Ni	Type 10Nf	Type 20Ni	Type 20Nf	Type 30Ni	Type 30Nf		
1	1	-	-	-	-	-	Porcelain	10 Ni DIN 42532
	1	1	1	-	-	-		10 Nf DIN 42532
	-	-	-	1	1	-		20 Nf DIN 42532
	-	-	-	-	-	1		30 Nf DIN 42532
2	1	1	1	1	1	1	Bolt	"D1" DIN 42532
3	1	1	1	1	1	1	Cap	"E" DIN 42532
4	1	-	1	-	1	-	Top arcing horn	K1 DIN 42532
	-	1	-	1	-	-		K2 DIN 42532
	-	-	-	-	-	1		K3 DIN 42532
5	1	1	1	1	1	1	Sealing ring	"J" DIN 42532
6	1	1	1	1	1	1	Internal gasket	"O" DIN 42532
7	1	1	1	1	1	1	"T" Bolt	"T" DIN 42532
8	1	1	1	1	1	1	Flange gasket	"F" DIN 42532
9	1	1	1	1	1	1	Flange gasket	"N" 3150 DIN 42530
10	1	1	1	1	1	1	Steel nuts	M12 ISO 4032-5
11	3	3	3	3	3	3	Brass nuts	M20 ISO 4032-MS
12	2	2	2	2	2	2	Brass washers	21 DIN 125-MS
13	1	1	1	1	1	1	Spring washer	21 DIN 127-St
14	6	6	6	6	6	6	Steel nuts	M10 ISO 4032-5
15	6	6	6	6	6	6	Steel washer	10,5 DIN 125-St
16	1	1	1	1	1	1	Fixing ring	"B" DIN 42538
17	6	6	6	6	6	6	Alu-clamping	"E" DIN 42538

ORDERING SYSTEM

1) When ordering, products should be described according to DIN Norm designation.

Example: 20kV, 250A, outdoor type high voltage bushing designation is DT 20 NF DIN 42532

2) In addition to the above designation, the following component options should be indicated by the customer;

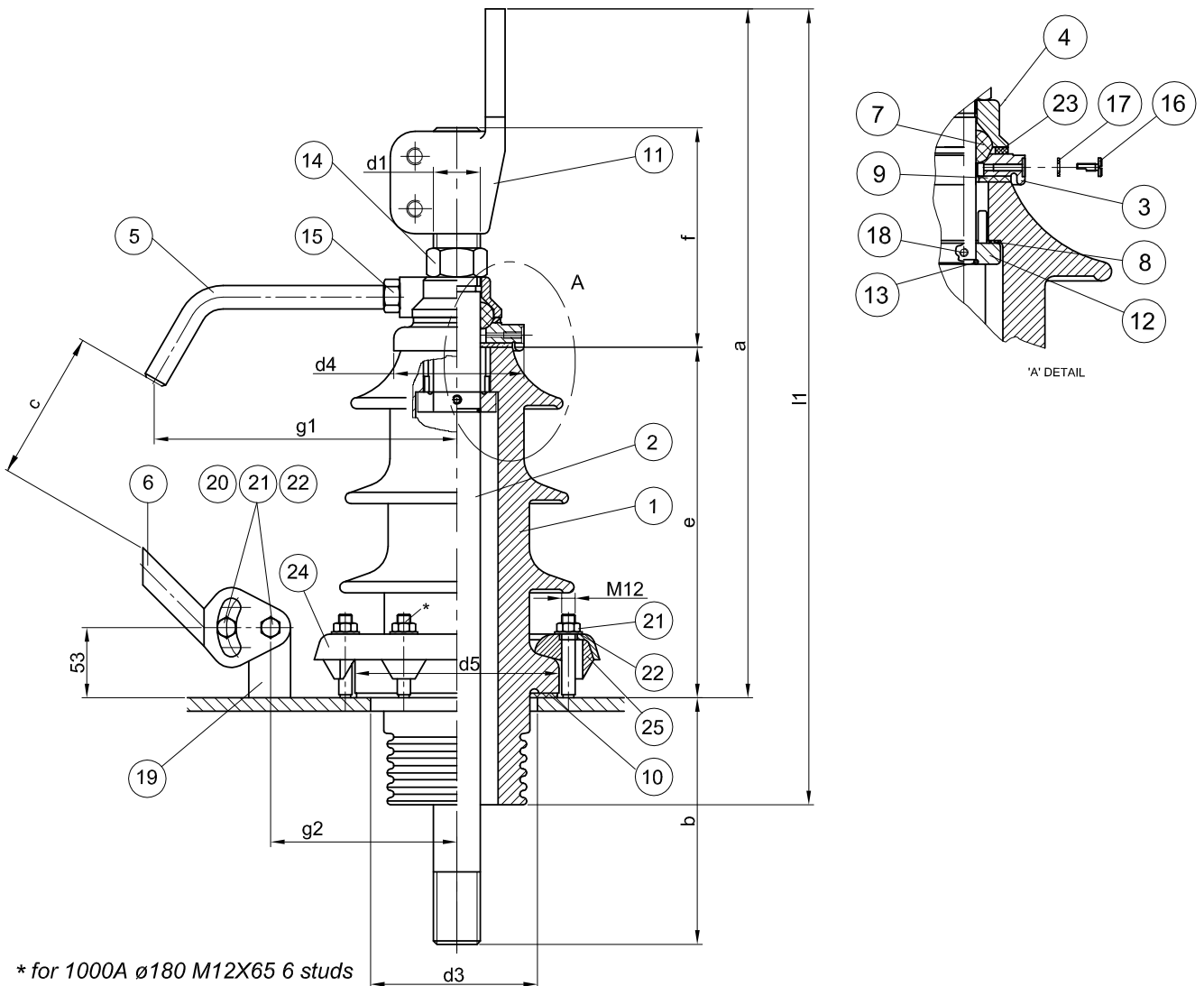
- Gasket materials (Cork, Organic Fiber, NBR rubber, Presspaper)
- Steel parts (Stainless Steel, Metal plated)
- Additional requirements not included in DIN Norm (Bottom-arcing horn and related fixing parts, additional welded extension stud)
- Additional plating of brass and copper parts (Tin, Silver)
- Main bolt (D-Bolt) material (Brass, Copper)
- Diameter of the bottom hole of the main bolt

3) If the above options are not indicated by the customer, the product DIN 42532 will be supplied with the following standard properties;

- Cork gaskets
- Steel parts are zinc plated
- Without bottom-arcing horn and related fixing parts and without welded extension stud
- Copper main bolt
- Bottom hole diameter of the main bolt is M20

INDOOR AND OUTDOOR TRANSFORMER BUSHINGS DIN 42 533

10N - 30N 1000, 2000, 3150A



- * for 1000A Ø180 M12x65 6 studs
- * for 2000A Ø200 M12x65 6 studs
- * for 3150A Ø200 M12x70 6 studs

Type	Current A	Class		a	b	c	d1	d3	d4	d5	e	f	g1	g2	l1
		Outdoor (f)	Indoor (i)												
10 Nf 1000	1000	10N	-	455	158	85	M 30x2	110	100	163	239	148	225	138	541
20 Ni 1000		-	20N	455	158	155	M 30x2	110	100	163	239	148	205	138	541
20 Nf 1000		20N	-	530	168	220	M 30x2	110	100	163	314	148	225	138	626
30 Ni 1000		-	30N	530	168	220	M 30x2	110	100	163	314	148	205	138	626
30 Nf 1000		30N	-	635	198	220	M 30x2	110	100	163	419	148	285	138	756
10 Nf 2000	2000	10N	-	530	158	85	M 42x3	135	120	183	239	178	230	148	616
20 Ni 2000		-	20N	530	158	155	M 42x3	135	120	183	239	178	210	148	616
20 Nf 2000		20N	-	605	168	220	M 42x3	135	120	183	314	178	230	148	701
30 Ni 2000		-	30N	605	168	220	M 42x3	135	120	183	314	178	210	148	701
30 Nf 2000		30N	-	710	198	220	M 42x3	135	120	183	419	178	290	148	831
10 Nf 3150	3150	10N	-	560	158	85	M 48x3	135	120	183	239	183	235	148	646
20 Ni 3150		-	20N	560	158	155	M 48x3	135	120	183	239	183	215	148	646
20 Nf 3150		20N	-	635	168	220	M 48x3	135	120	183	314	183	235	148	731
30 Ni 3150		-	30N	635	168	220	M 48x3	135	120	183	314	183	215	148	731
30 Nf 3150		30N	-	740	198	220	M 48x3	135	120	183	419	183	295	148	861

OUTDOOR TRANSFORMER BUSHINGS DIN 42 533**Rated current 1000A**

Pos.	Qty. for					Name of the material	Description
	Type 10Nf	Type 20Ni	Type 20Nf	Type 30Ni	Type 30Nf		
1	1	1	-	-	-	Porcelain	10 Nf 1000 DIN 42533
	-	-	1	1	-		20 Nf 1000 DIN 42533
	-	-	-	-	1		30 Nf 1000 DIN 42533
2	1	1	1	1	1	Connecting bolt	"D" 1000 DIN 42533
3	1	1	1	1	1	Cap	"E" 1000 DIN 42533
4	1	1	1	1	1	Washer	"F" 1000 DIN 42533
5	1	1	1	1	-	Arcing horn (Top)	"G10" DIN 42533
	-	-	-	-	1		"G30" DIN 42533
6	1	-	-	-	-	Arcing horn (Bottom)	"H10" DIN 42533
	-	1	-	1	-		"H20 i" DIN 42533
	-	-	1	-	-		"H20 f" DIN 42533
	-	-	-	-	1		"H30" DIN 42533
7	1	1	1	1	1	Sealing ring gasket	"J" 1000 DIN 42533
8	1	1	1	1	1	Internal gasket	"O" 1000 DIN 42533
9	1	1	1	1	1	Plain gasket	"M" 1000 DIN 42533
10	1	1	1	1	1	Flange gasket	"N" 1000 DIN 42533
11	1	1	1	1	1	Flag	"BP 30" DIN 43675
12	1	1	1	1	1	Presring	"P" 1000 DIN 42533
13	1	1	1	1	1	"S" ring	"S" 1000 DIN 42533
14	1	1	1	1	1	Brass nuts	M30x2 ISO 4032-Ms
15	1	1	1	1	1	Steel nut	M20 ISO 4032-m5
16	1	1	1	1	1	"R" bolt	"R" DIN 42533
17	1	1	1	1	1	Washer	6.4 DIN 125-It
18	2	2	2	2	2	Setscrew	M8x15 DIN 553
19	1	1	1	1	1	"T" support	"T" DIN 42533
20	2	2	2	2	2	Bolt	M12x30 ISO 4017-m 5.8
21	8	8	8	8	8	Nut	M12 ISO 4032-m5
22	8	8	8	8	8	Spring washer	"B12" DIN 127
23	1	1	1	1	1	Contact washer	"U" 1000 DIN 42533
24	8	8	8	8	8	Fixing ring	"C" DIN 42538
25	6	6	6	6	6	Alu-clamping	"F" DIN 42538

UTDOOR TRANSFORMER BUSHINGS DIN 42 533**Rated current 2000A**

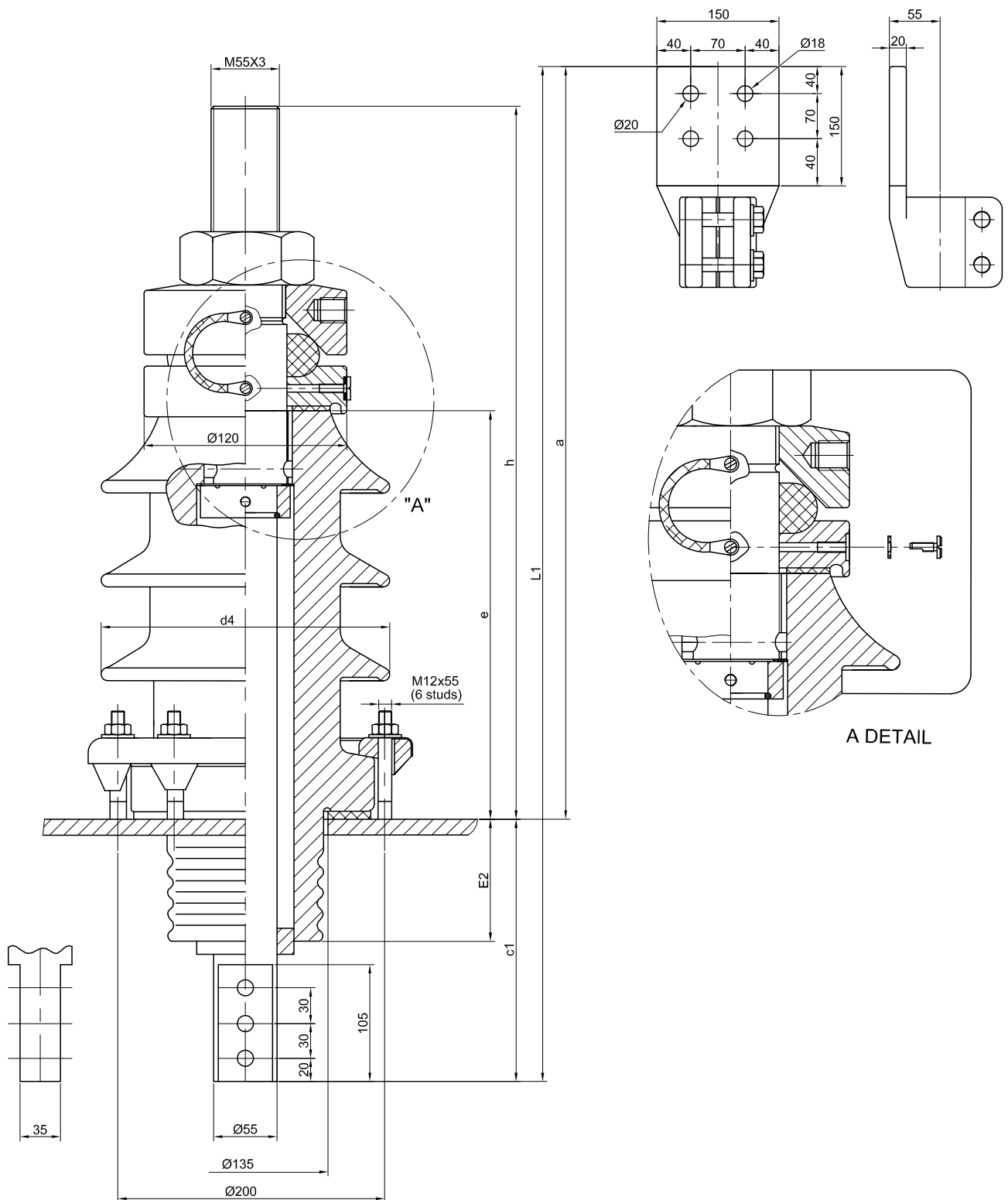
Pos.	Qty. for					Name of the material	Description
	Type 10Nf	Type 20Ni	Type 20Nf	Type 30Ni	Type 30Nf		
1	1	1	-	-	-	Porcelain	10 Nf 3150 DIN 42533
	-	-	1	1	-		20 Nf 3150 DIN 42533
	-	-	-	-	1		30 Nf 3150 DIN 42533
2	1	1	1	1	1	Connecting bolt	"D" 2000 DIN 42533
3	1	1	1	1	1	Cap	"E" 2000 DIN 42533
4	1	1	1	1	1	Washer	"F" 2000 DIN 42533
5	1	1	1	1	-	Arcing horn (Top)	"G10" DIN 42533
	-	-	-	-	1		"G30" DIN 42533
6	1	-	-	-	-	Arcing horn (Bottom)	"H10" DIN 42533
	-	1	-	1	-		"H20 i" DIN 42533
	-	-	1	-	-		"H20 f" DIN 42533
	-	-	-	-	1		"H30" DIN 42533
7	1	1	1	1	1	Sealing ring gasket	"J" 2000 DIN 42533
8	1	1	1	1	1	Internal gasket	"O" 2000 DIN 42533
9	1	1	1	1	1	Plain gasket	"M" 3150 DIN 42533
10	1	1	1	1	1	Flange gasket	"N" 3150 DIN 42533
11	1	1	1	1	1	Flag (Brass)	"CP-M42x3" DIN 43675
12	1	1	1	1	1	Presring	"P" 2000 DIN 42533
13	1	1	1	1	1	"S" ring	"S" 2000 DIN 42533
14	1	1	1	1	1	Brass nuts	M42x3 ISO 4032-Ms
15	1	1	1	1	1	Steel nut	M20 ISO 4032-m5
16	1	1	1	1	1	"R" bolt	"R" DIN 42533
17	1	1	1	1	1	Washer	6.4 DIN 125-It
18	2	2	2	2	2	Setscrew	M8x15 DIN 553
19	1	1	1	1	1	"T" support	"T" DIN 42533
20	2	2	2	2	2	Bolt	M12x30 ISO 4017-m 5.8
21	8	8	8	8	8	Nut	M12 ISO 4032-m5
22	8	8	8	8	8	Spring washer	"B12" DIN 127
23	1	1	1	1	1	Contact washer	"U" 2000 DIN 42533
24	1	1	1	1	1	Fixing ring	"D" DIN 42538
25	6	6	6	6	6	Alu-clamping	"F" DIN 42538

OUTDOOR TRANSFORMER BUSHINGS DIN 42 533**Rated current 3150A**

Pos.	Qty. for					Name of the material	Description
	Type 10Nf	Type 20Ni	Type 20Nf	Type 30Ni	Type 30Nf		
1	1	1	-	-	-	Porcelain	10 Nf 3150 DIN 42533
	-	-	1	1	-		20 Nf 3150 DIN 42533
	-	-	-	-	1		30 Nf 3150 DIN 42533
2	1	1	1	1	1	Connecting bolt	"D" 3150 DIN 42533
3	1	1	1	1	1	Cap	"E" 3150 DIN 42533
4	1	1	1	1	1	Washer	"F" 3150 DIN 42533
5	1	1	1	1	-	Arcing horn (Top)	"G10" DIN 42533
	-	-	-	-	1		"G30" DIN 42533
6	1	-	-	-	-	Arcing horn (Bottom)	"H10" DIN 42533
	-	1	-	1	-		"H20 i" DIN 42533
	-	-	1	-	-		"H20 f" DIN 42533
	-	-	-	-	1		"H30" DIN 42533
7	1	1	1	1	1	Sealing ring gasket	"J" 3150 DIN 42533
8	1	1	1	1	1	Internal gasket	"O" 3150 DIN 42533
9	1	1	1	1	1	Plain gasket	"M" 3150 DIN 42533
10	1	1	1	1	1	Flange gasket	"N" 3150 DIN 42533
11	1	1	1	1	1	Flag (Brass or Cu)	"CP-M48x3" DIN 43675
12	1	1	1	1	1	Presring	"P" 3150 DIN 42533
13	1	1	1	1	1	"S" ring	"S" 3150 DIN 42533
14	1	1	1	1	1	Brass nuts	M48x3 ISO 4032-Ms
15	1	1	1	1	1	Steel nut	M20 ISO 4032-m5
16	1	1	1	1	1	"R" bolt	"R" DIN 42533
17	1	1	1	1	1	Washer	6.4 DIN 125-It
18	1	1	1	1	1	Setscrew	M8x15 DIN 553
19	1	1	1	1	1	"T" support	"T" DIN 42533
20	2	2	2	2	2	Bolt	M12x30 ISO 4017-m 5.8
21	8	8	8	8	8	Nut	M12 ISO 4032-m5
22	8	8	8	8	8	Spring washer	"B12" DIN 127
23	1	1	1	1	1	Contact washer	"U" 3150 DIN 42533
24	1	1	1	1	1	Fixing ring	"D" DIN 42538
25	6	6	6	6	6	Alu-clamping	"F" DIN 42538

OUTDOOR TRANSFORMER BUSHINGS 12-24-36 kV

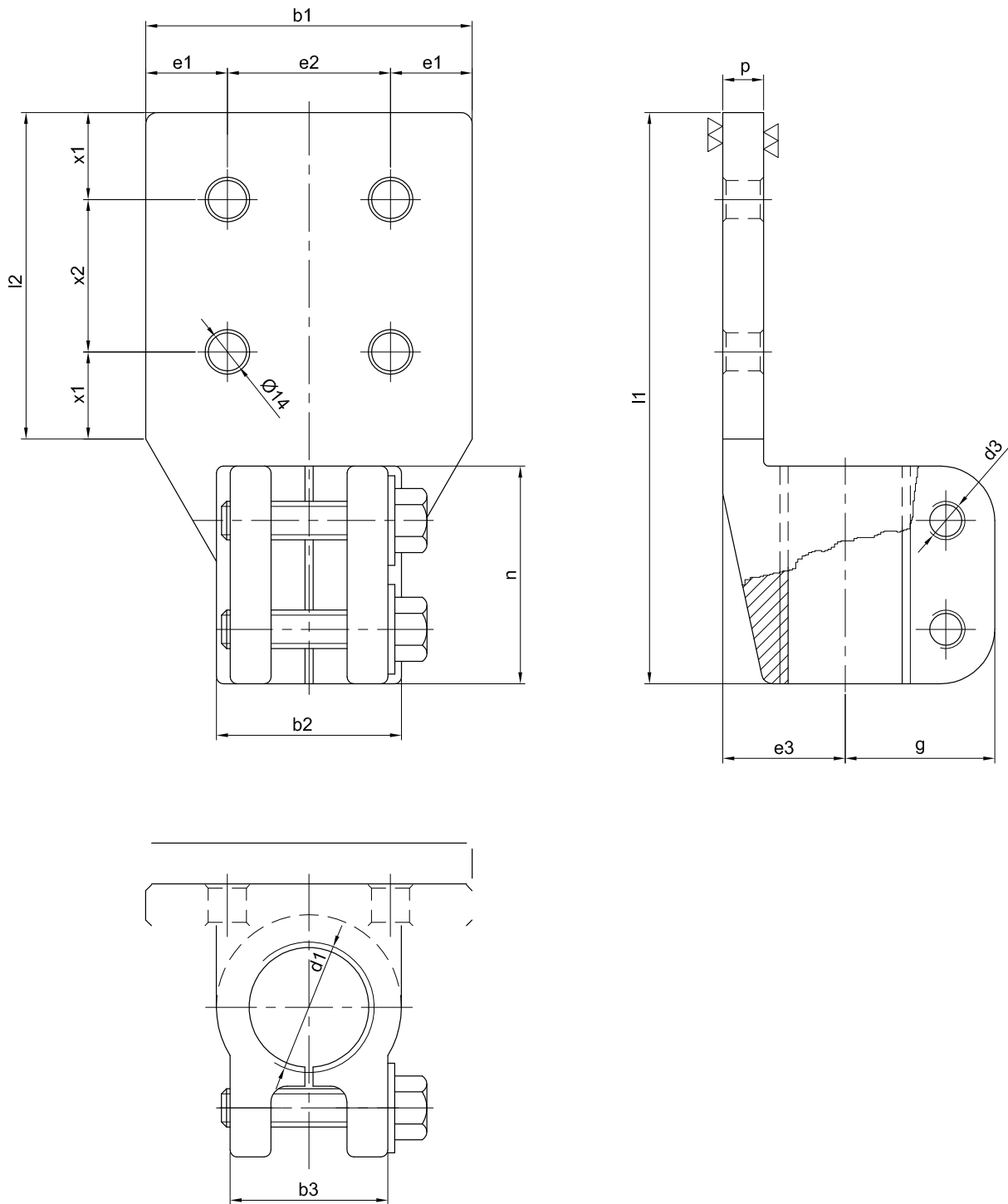
Rated Current 4500A



Bushing	Voltage kV	Current A	Creepage distance	a mm	b1 mm	c1 mm	d4 mm	e mm	E2 mm	h mm	L1 mm	Weight kg	Volume dm ³
10F/4500	12	4500	290	600	215	210	190	239	86	449	810	39	100
20F/4500	24	4500	440	675	225	220	210	314	96	524	895	47	110
30F/4500	36	4500	680	780	250	245	230	419	121	629	1025	55	120



BRASS FLAG DIN 43675 (EP-FP)

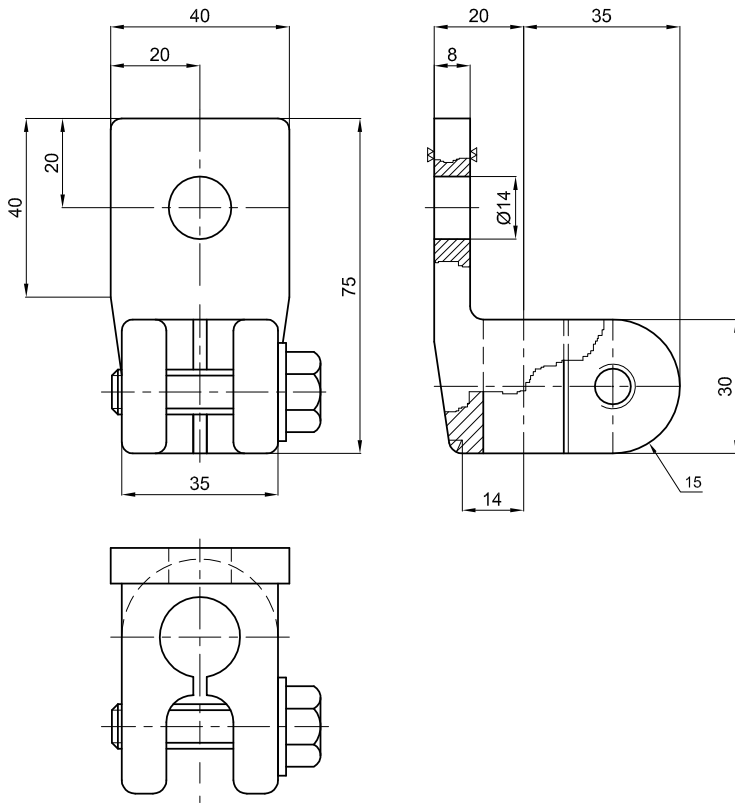


Z: N° of holes (Ø14)

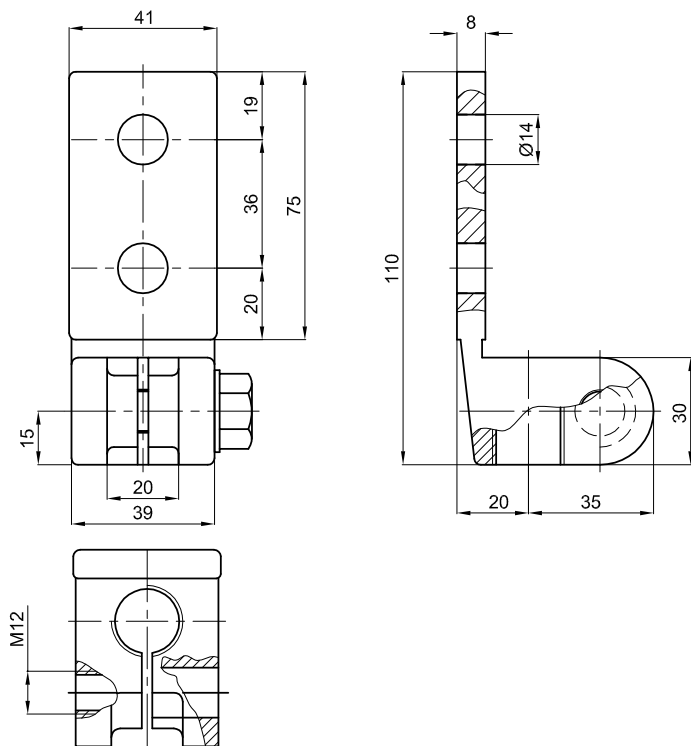
Material: Brass (Cu Zn 40 Pb2)

Type	b1	b2	b3	d1	d3	e1	e2	e3	g	l1	l2	n	p	x1	x2	z
EP 1000	60	45	36	M30x2	M10	17	26	28	40	130	60	60	10	17	26	2
FP 2000	100	58	45	M42x3	M12	25	50	40	55	190	100	80	15	20	40	4
FP 3150	120	68	58	M48x3	M12	30	60	45	55	210	120	80	15	20	40	4

Brass Flags

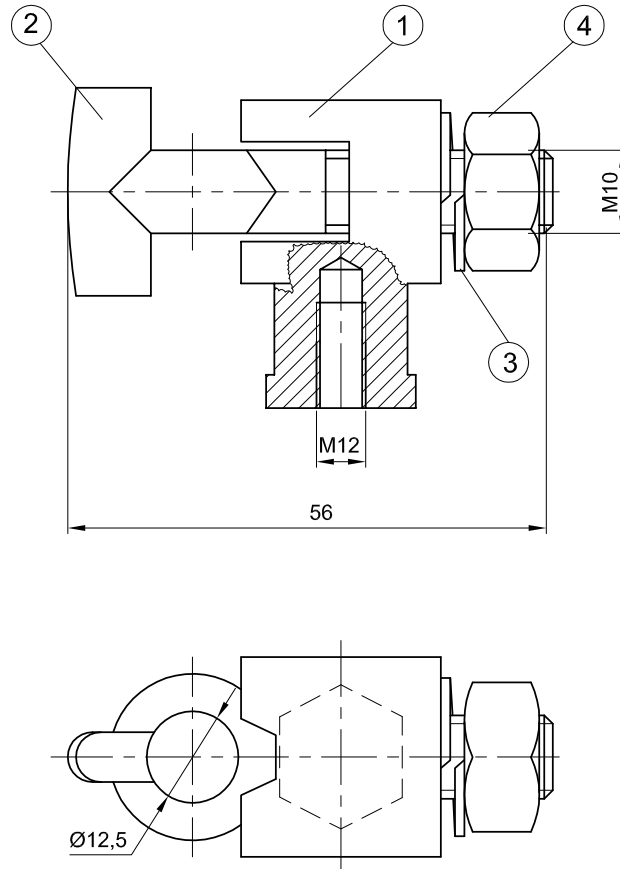


Brass Flag DIN 43675 "DP"
Material: Brass (CuZn40Pb2)



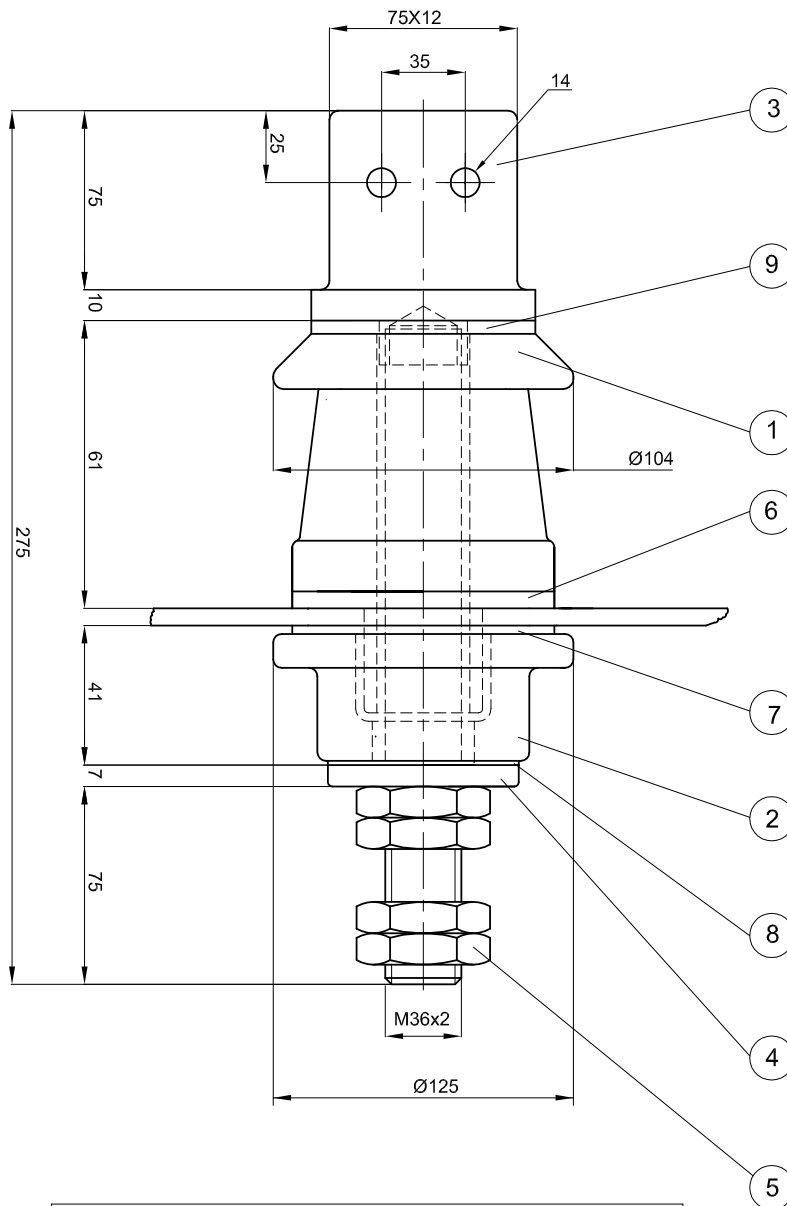
Brass Flag (modified) "AP-EL"
Material: Brass (CuZn40Pb2)

ANSI CLAMP M12 WITH EYE BOLT



Pos.	Description	Material
1	Ansi clamp M10	Brass
2	Eye bolt M10	Brass
3	Spring washer	S/Steel
4	Nut M10	Brass

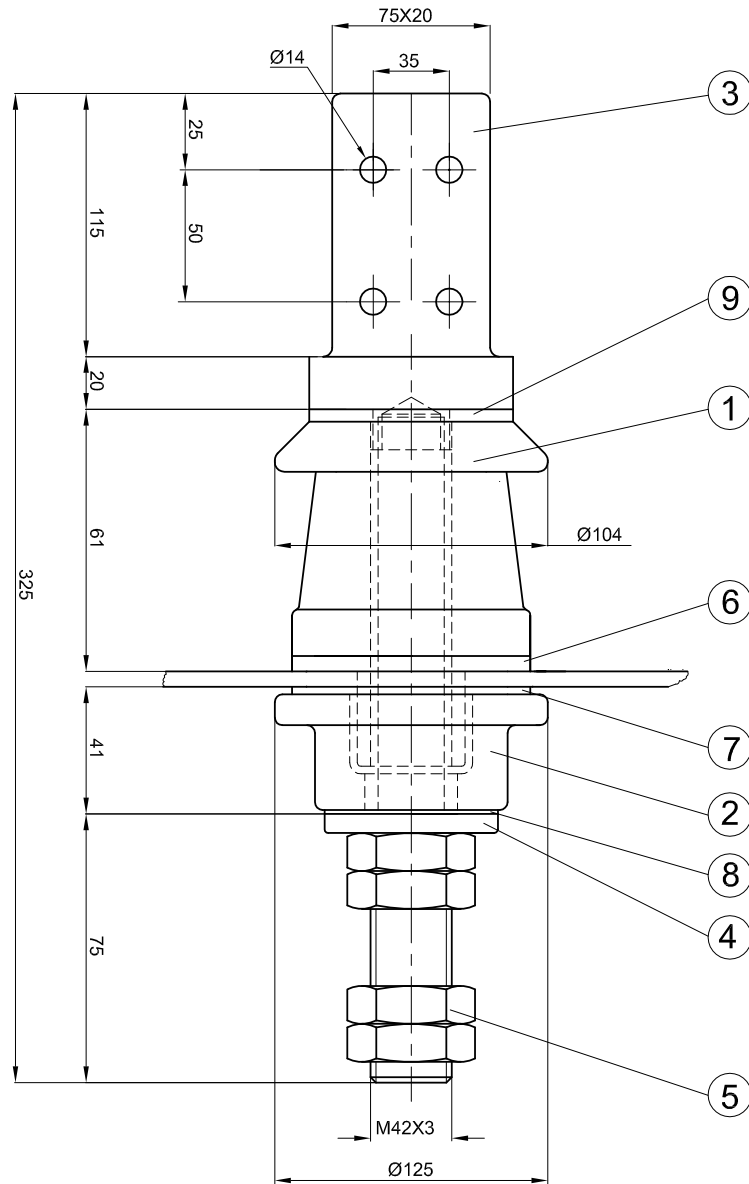
OUTDOOR IMMERSED BUSHINGS FOR USE UP 1.1kV 1600A



Rated voltage	1,1 kV
Rated current	1600 A
One minute withstand (Power frequency)	10 kV
Full wave withstand test (Impulse voltage)	20 kV
Overall creepage	75 mm
Cover hole	70 mm

Pos.	Qty.	Name of the material	Description
1	1	Top porcelain	A-2000 DIN 42530
2	1	Bottom porcelain	B-2000 DIN 42530
3	1	Stem + Flag	Copper + Brass
4	1	Brass washer "E"	Brass
5	4	Brass nut M42 ISO 4032	M36 ISO 4035
6	1	Flange gasket "N"	DT 2000 DIN 42530
7	1	Internal gasket (O)	DT 2000 DIN 42530
8	1	Internal gasket (P)	DT 2000 DIN 42530
9	1	Plain gasket (M)	DT 2000 DIN 42530

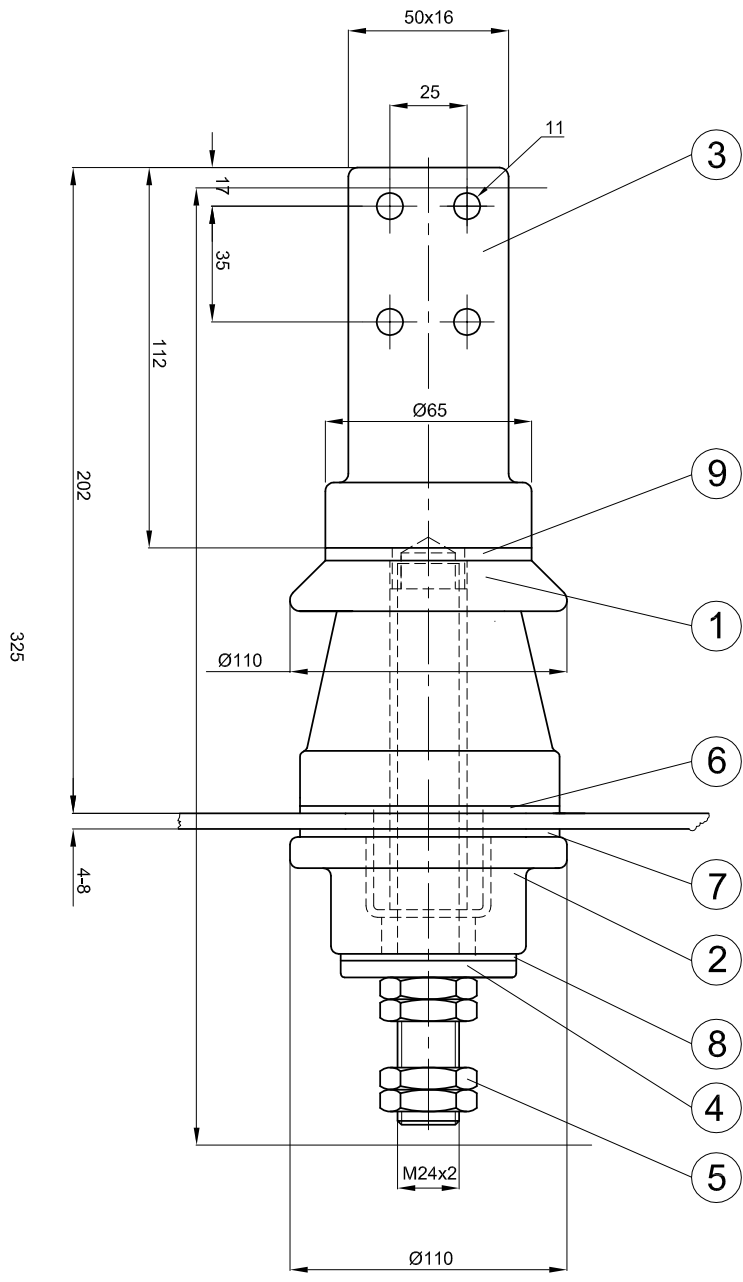
OUTDOOR IMMERSED BUSHINGS FOR USE UP 1.1kV 2500A



Rated voltage	1,1 kV
Rated current	2500 A
One minute withstand (Power frequency)	10 kV
Full wave withstand test (Impulse voltage)	20 kV
Overall creepage	75 mm
Cover hole	70 mm

Pos.	Qty.	Name of the material	Description
1	1	Top porcelain	A-2000 DIN 42530
2	1	Bottom porcelain	B-2000 DIN 42530
3	1	Stem + Flag	Copper + Brass
4	1	Brass washer"E"	Brass
5	4	Brass nut	M42 ISO 4035
6	1	Flange gasket "N"	DT 2000 DIN 42530
7	1	Internal gasket (O)	DT 2000 DIN 42530
8	1	Internal gasket (P)	DT 2000 DIN 42530
9	1	Plain gasket (M)	DT 2000 DIN 42530

OUTDOOR IMMERSED BUSHINGS FOR USE UP 3kV 850A



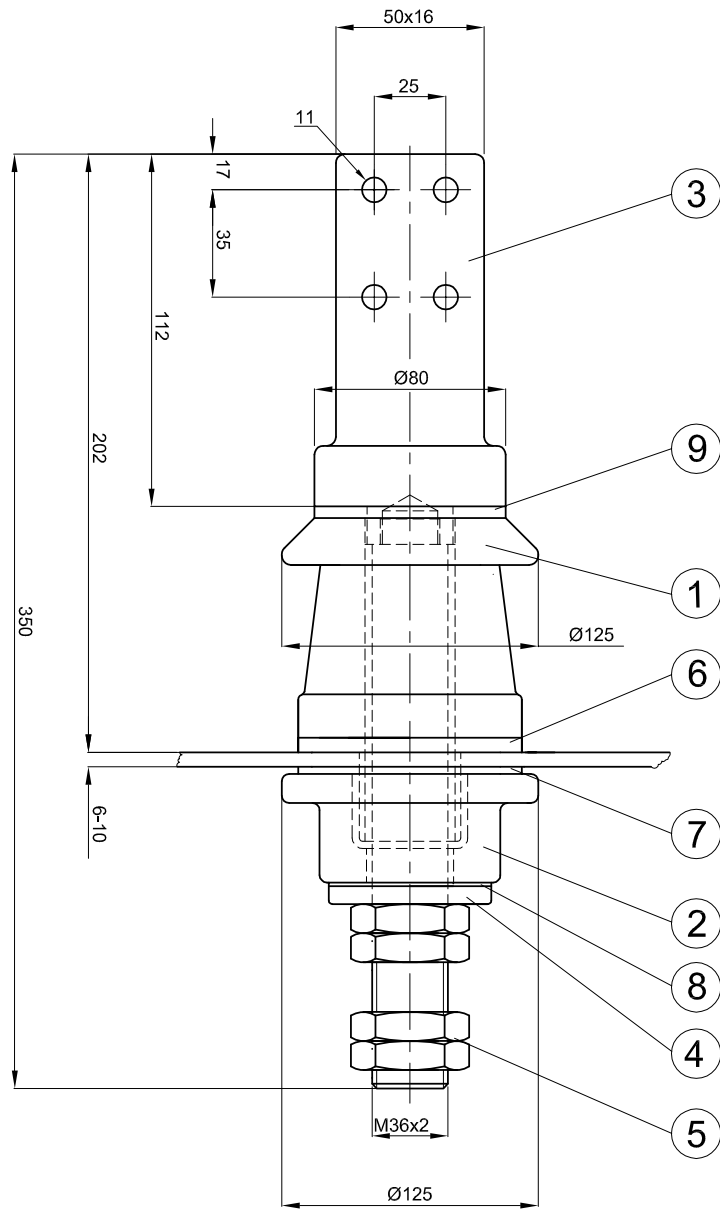
- 1. This bushing generally meets with the requirements DF DIN standard 42539 (A 3-1000)
- 2. Standard BIL
- 3. Mounting hole size :56mm
- 4. Minimum creepage distance : 125mm
- 5. Bushing packing weight : 7kg (Approx)

Cover hole : Ø56mm

Pos.	Qty.	Name of the material	Description
1	1	Top porcelain	A-1000 DIN 42539
2	1	Bottom porcelain	B-1000 DIN 42539
3	1	Stem + Flag	Copper + Brass
4	1	Brass washer"E"	Brass
5	4	Brass nut	M24 ISO 4035
6	1	Flange gasket "N"	DT 1000 DIN 42539
7	1	Internal gasket (O)	DT 1000 DIN 42539
8	1	Internal gasket (P)	DT 1000 DIN 42539
9	1	Plain gasket (M)	DT 1000 DIN 42539

OUTDOOR IMMERSED BUSHINGS FOR USE UP 3kV 1600A

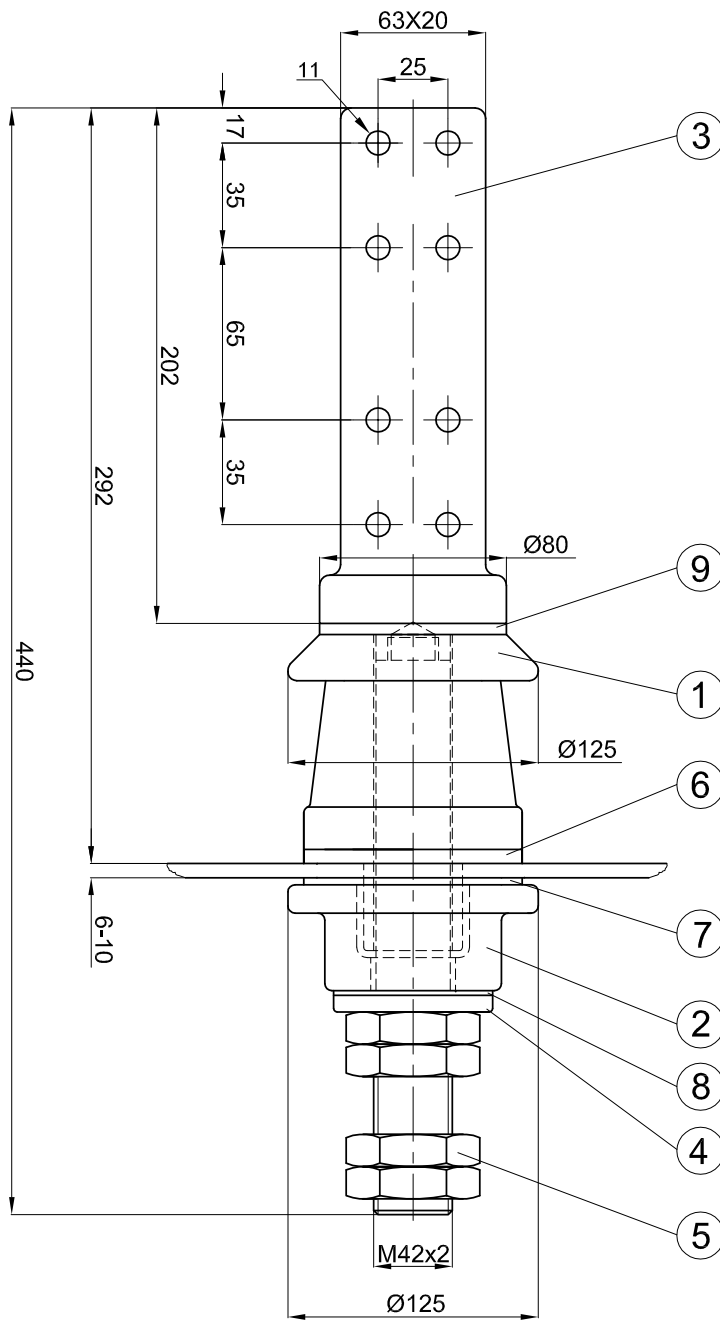
- 1. This bushing generally meets the requirements
DF DIN standard 42539 (DT 2000)
- 2. Standard BIL level
- 3. Mounting hole size :70mm
- 4. Brass flag to DIN standard 43675 FP
- 5. Minimum creepage distance : 125mm
- 6. Bushing packing weight : 17kg (Approx)



Cover hole : Ø70mm

Pos.	Qty.	Name of the material	Description
1	1	Top porcelain	A-2000 DIN 42539
2	1	Bottom porcelain	B-2000 DIN 42539
3	1	Stem + Flag	Copper + Brass
4	1	Brass washer"E"	Brass
5	4	Brass nut M36	M36 ISO 4035
6	1	Flange gasket "N"	DT 2000 DIN 42539
7	1	Internal gasket (O)	DT 2000 DIN 42539
8	1	Internal gasket (P)	DT 2000 DIN 42539
9	1	Plain gasket (M)	DT 2000 DIN 42539

OUTDOOR IMMERSED BUSHINGS FOR USE UP 3kV 2500A

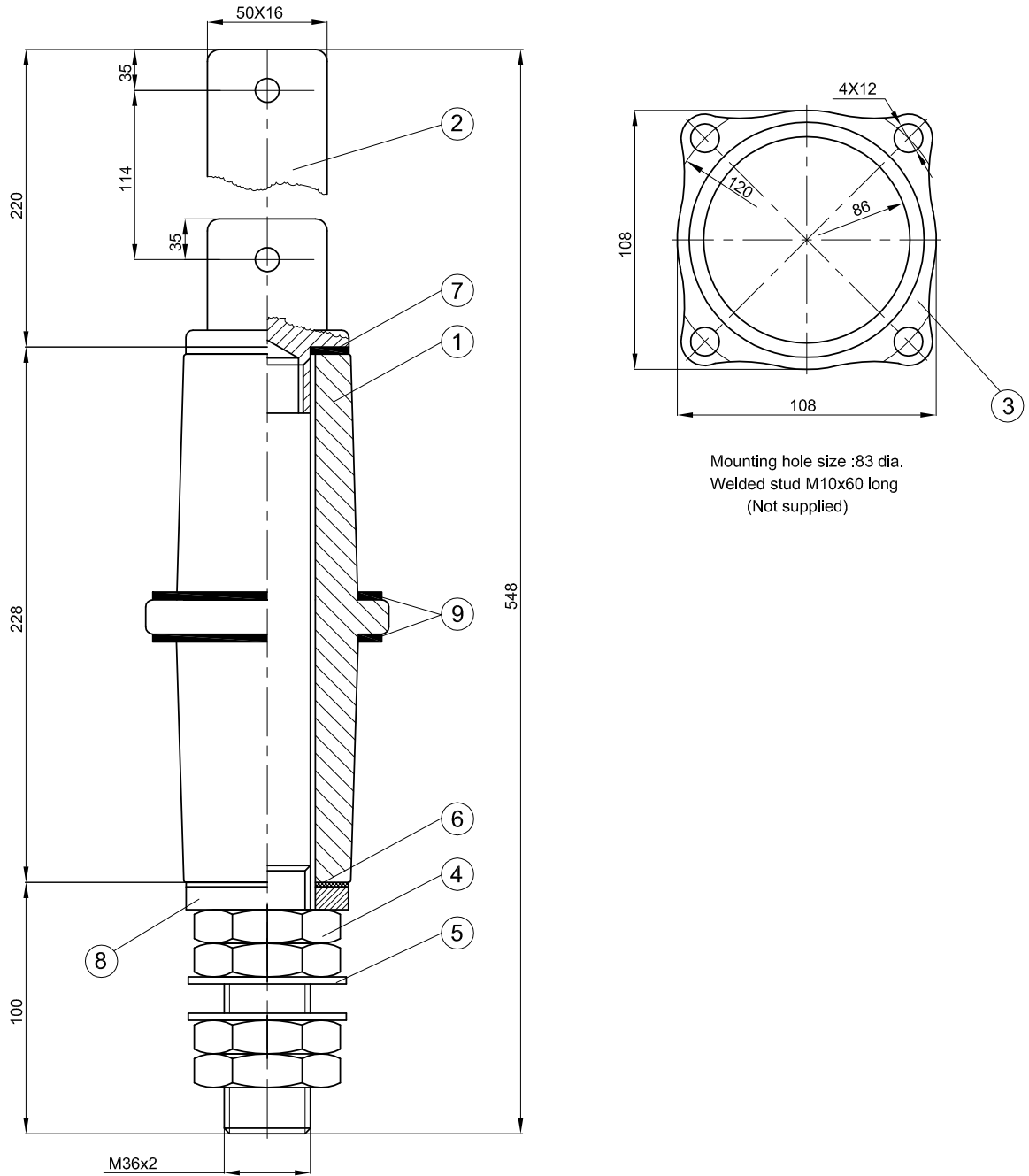


Cover hole: Ø70mm

1. This bushing generally meets the requirements DF DIN standard 42539 (DT 2000)
2. Standard BIL level
3. Mounting hole size :70mm
4. Brass flag to DIN standard 43675 FP
5. Minimum creepage distance : 125mm
6. Bushing packing weight : 17kg (Approx)

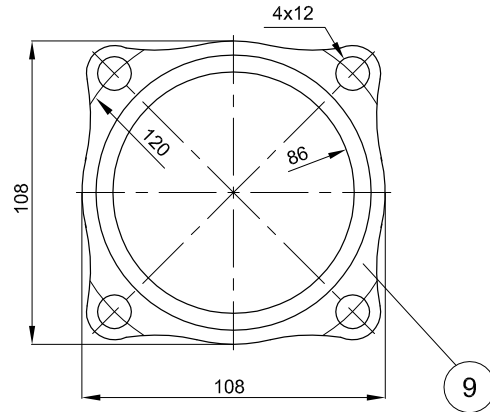
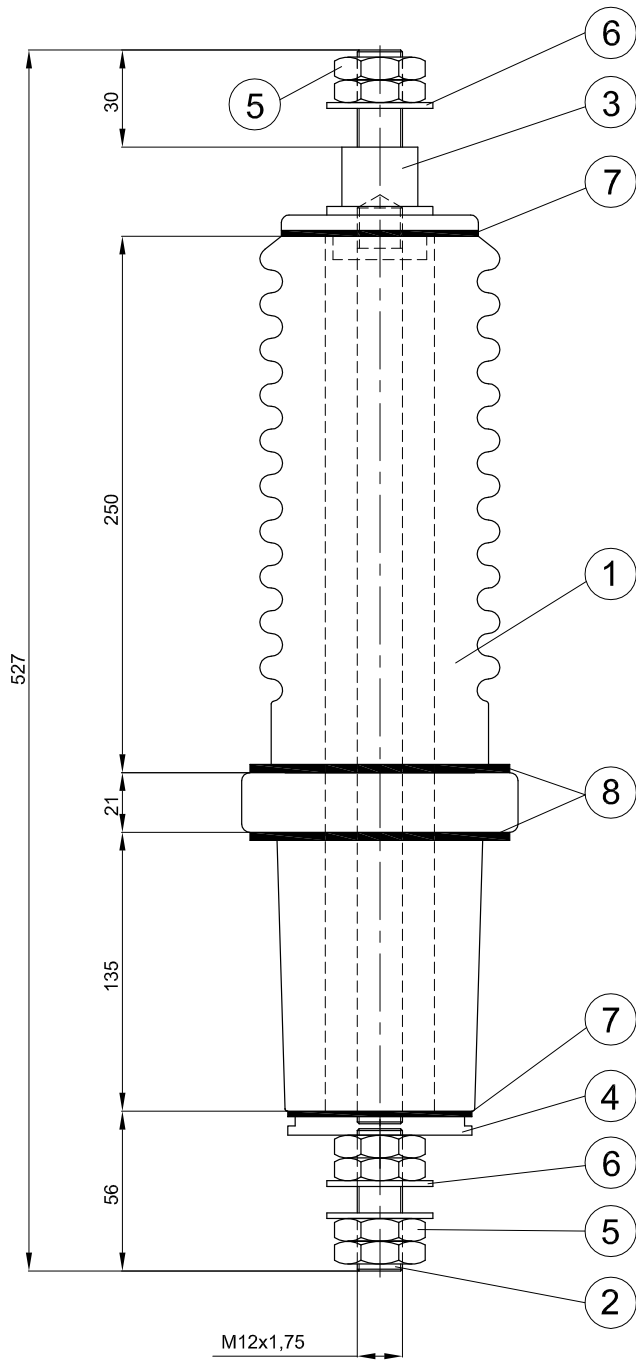
Pos.	Qty.	Name of the material	Description
1	1	Top porcelain	A-2000 DIN 42539
2	1	Bottom porcelain	B-2000 DIN 42539
3	1	Stem + Flag	Copper + Copper
4	1	Brass washer"E"	Brass
5	4	Brass nut	M42 ISO 4035
6	1	Flange gasket "N"	DT 2000 DIN 42539
7	1	Internal gasket (O)	DT 2000 DIN 42539
8	1	Internal gasket (P)	DT 2000 DIN 42539
9	1	Plain gasket (M)	DT 2000 DIN 42539

OUTDOOR IMMERSED BUSHINGS FOR USE UP 12KV 1600A



Pos.	Qty.	Description
1	1	Top porcelain "A"
2	1	Stem
3	1	Fixing ring
4	4	Brass lock nut M36 ISO 4035
5	1	Washer for M36
6	1	Internal gasket "X"
7	1	Plain gasket "M"
8	1	Brass washer "G"
9	1	Flange gasket "N"

INDOOR IMMERSED CABLE BOX BUSHINGS UP TO 24kV 250A

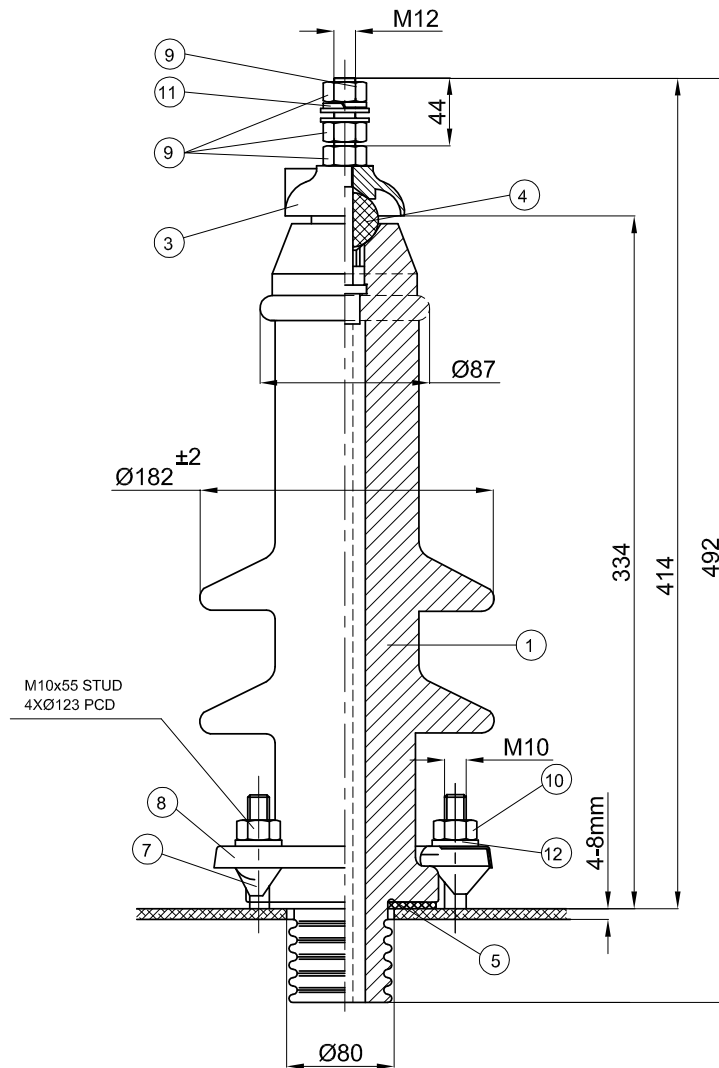


Mounting hole size :83 dia.
Welded stud M10x60 long
(Not supplied)

Pos.	Qty.	Description
1	1	Top porcelain "A"
2	1	Stem
3	1	Brass washer "E"
4	1	Brass washer "G"
5	6	Brass lock nut M12 ISO 4035
6	3	Washer for M12
7	2	Flange gasket "M"
8	2	Plain gasket "N"
9	1	Fixing ring

- 1. Creepage 135/300
- 2. Specification reference spec.IEC 137/BS6435
- 3. Standard BIL level : 125kV
- 4. Items 2, 3 screwed and sweated together

INDOOR IMMERSED BUSHINGS FOR USE UP 36KV 250A



Pos.	Qty.	Name of the material	Description
1	1	Porcelain	
2	1	Stem	Brass
3	1	Brass washer"E"	Brass
4	1	Gasket "J" 30X12X18	NBR
5	1	Flange gasket "N" 108X76X6	NBR Cork
6	1	Internal gasket (O) 32X15X2	NBR Cork
7	1	Clamping	Aluminium
8	1	Fixing Ring	St
9	3	Nut M12	Brass
10	4	Nut M10	St
11	2	Washer For M12	Brass
12	4	Washer For M10	St

BE OUR CLIENT AND ENJOY

QUALITY CONSISTENCY | DELIVERY ON TIME | COMPETITIVE PRICE

DADA CORPORATION

Gujarat, India +91 80000 77333 info@dadacorp.co.in

