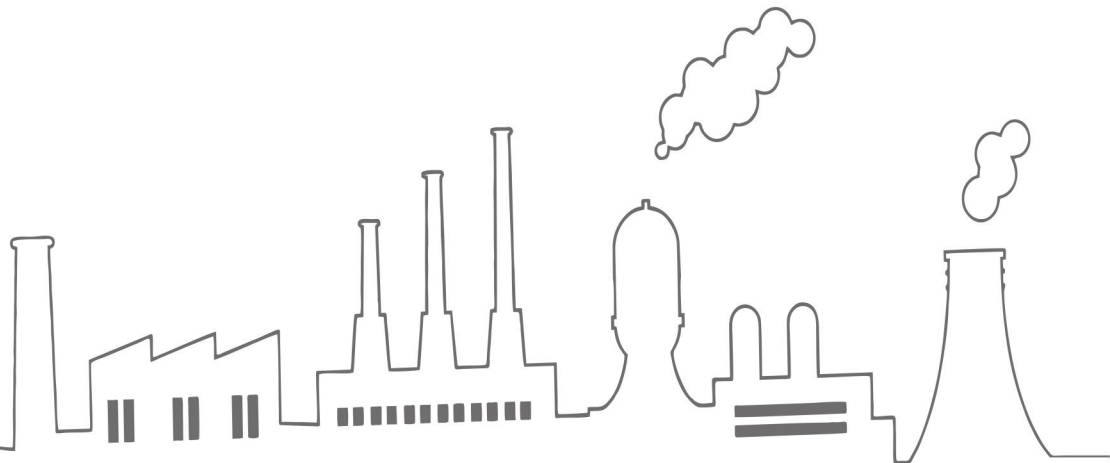


# CABLE GLAND ACCESSORIES



dada corporation



**CABLEGLAND ACCESSORIES**

**DC** offers a wide range of Cable Glands's Accessories for indoor and outdoor use.

**DC**, by translating its Technological expertise, Manufacturing Process and Product Application to innovative solutions ensures complete customer satisfaction

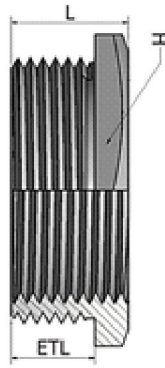
**DC** Cable Glands's Accessories are being used worldwide and are supported by a wide network of distributors and wholesalers. Owing to our good track record of reliable supplies our customer base has spanned major sectors like Industrial, Power and Oil fields, just to name a few.

**DC** has been dedicated to provide its customers, solutions, adding value to their business and also develop products as per their specific requirements, from short to large production run.

This catalogue has been compiled and logically structured enabling the original equipment manufacturers, electrical contractors, distributors, wholesalers and retailers to find product information easily and efficiently.



**REDUCER**



Thread Conversion **Hex Reducers** is designed to provide flexibility and versatility in the Execution of construction works when there is a conflict between the type or size of the Cable Gland thread and the cable entry hole in the equipment.

**TECHNICAL DATA**

Thread	Metric, PG, NPT, BSPP, BSPT, PG, ET, NPT & NPSM
Material Specification	Brass BS2874, Stainless Steel 316 L, Mild Steel & Aluminium
Finish	Nickel Plated, Zinc Plated, Chrome Plated, Natural Finish & Other

SIZE								
METRIC TO METRIC (Male X Female)	H	L	ETL	NPT TO METRIC(Male X Female)	H	L	ETL	
M 20 X M 16	23.3	21.0	17.0	1/2" NPT X M 16	23.3	22.0	18.0	
M 25 X M 16	27.8	21.0	17.0	3/4" NPT X M 16	27.8	22.0	18.0	
M 25 X M 20	27.8	21.0	17.0	3/4" NPT X M 20	27.8	22.0	18.0	
M 32 X M 16	37.5	21.0	17.0	1" NPT X M 16	37.5	22.0	18.0	
M 32 X M 20	37.5	21.0	17.0	1" NPT X M 20	37.5	22.0	18.0	
M 32 X M 25	37.5	21.0	17.0	1" NPT X M 25	37.5	22.0	18.0	
M 40 X M 16	47.2	22.5	17.0	1 1/4" NPT X M 16	47.2	25.5	20.0	
M 40 X M 20	47.2	22.5	17.0	1 1/4" NPT X M 20	47.2	25.5	20.0	
M 40 X M 25	47.2	22.5	17.0	1 1/4" NPT X M 25	47.2	25.5	20.0	
M 40 X M 32	47.2	22.5	17.0	1 1/4" NPT X M 32	47.2	25.5	20.0	
M 50 X M 16	55.6	23.0	17.0	1 1/2" NPT X M 16	55.6	26.0	20.0	
M 50 X M 20	55.6	23.0	17.0	1 1/2" NPT X M 20	55.6	26.0	20.0	
M 50 X M 25	55.6	23.0	17.0	1 1/2" NPT X M 25	55.6	26.0	20.0	
M 50 X M 32	55.6	23.0	17.0	1 1/2" NPT X M 32	55.6	26.0	20.0	
M 50 X M 40	55.6	23.0	17.0	1 1/2" NPT X M 40	55.6	26.0	20.0	
M 63 X M 16	69.8	24.0	17.0	2" NPT X M 16	69.8	29.0	22.0	
M 63 X M 20	69.8	24.0	17.0	2" NPT X M 20	69.8	29.0	22.0	
M 63 X M 25	69.8	24.0	17.0	2" NPT X M 25	69.8	29.0	22.0	
M 63 X M 32	69.8	24.0	17.0	2" NPT X M 32	69.8	29.0	22.0	
M 63 X M 40	69.8	24.0	17.0	2" NPT X M 40	69.8	29.0	22.0	
M 63 X M 50	69.5	24.0	17.0	2" NPT X M 50	69.5	29.0	22.0	
M 75 X M 16	80.5	25.0	17.0	2 1/2" NPT X M 16	80.5	34.0	26.0	
M 75 X M 20	80.5	25.0	17.0	2 1/2" NPT X M 20	80.5	34.0	26.0	
M 75 X M 25	80.5	25.0	17.0	2 1/2" NPT X M 25	80.5	34.0	26.0	
M 75 X M 32	80.5	25.0	17.0	2 1/2" NPT X M 32	80.5	34.0	26.0	
M 75 X M 40	80.5	25.0	17.0	2 1/2" NPT X M 40	80.5	34.0	26.0	
M 75 X M 50	80.5	25.0	17.0	2 1/2" NPT X M 50	80.5	34.0	26.0	
M 75 X M 63	80.5	25.0	17.0	2 1/2" NPT X M 63	80.5	34.0	26.0	
M 90 X M 16	105.0	28.0	20.0	3" NPT X M 16	105.0	34.0	26.0	
M 90 X M 20	105.0	28.0	20.0	3" NPT X M 20	105.0	34.0	26.0	
M 90 X M 25	105.0	28.0	20.0	3" NPT X M 25	105.0	34.0	26.0	
M 90 X M 32	105.0	28.0	20.0	3" NPT X M 32	105.0	34.0	26.0	
M 90 X M 40	105.0	28.0	20.0	3" NPT X M 40	105.0	34.0	26.0	
M 90 X M 50	105.0	28.0	20.0	3" NPT X M 50	105.0	34.0	26.0	
M 90 X M 63	105.0	28.0	20.0	3" NPT X M 63	105.0	34.0	26.0	
M 90 X M 75	105.0	28.0	20.0	3" NPT X M 75	105.0	34.0	26.0	

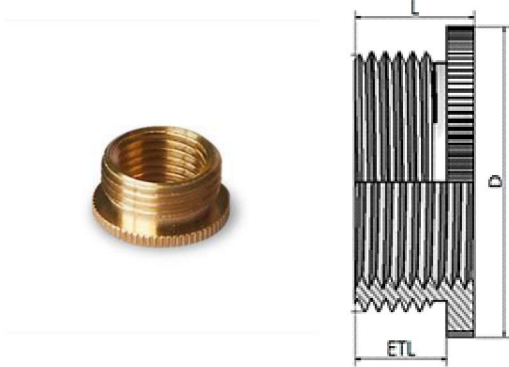
"Other sizes / threads / Design are available on request"

		SIZE						
METRIC TO NPT (Male X Female)	H	L	ETL	NPT TO NPT (Male X Female)	H	L	ETL	
M 25 X 1/2" NPT	27.8	21.0	17.0	3/4" NPT X 1/2" NPT	27.8	22.0	18.0	
M 32 X 1/2" NPT	37.5	21.0	17.0	1" NPT X 1/2" NPT	37.5	22.0	18.0	
M 32 X 3/4" NPT	37.5	21.0	17.0	1" NPT X 3/4" NPT	37.5	22.0	18.0	
M 40 X 1/2" NPT	47.2	22.5	17.0	1 1/4" NPT X 1/2" NPT	47.2	26.5	21.0	
M 40 X 3/4" NPT	47.2	22.5	17.0	1 1/4" NPT X 3/4" NPT	47.2	26.5	21.0	
M 40 X 1" NPT	47.2	22.5	17.0	1 1/4" NPT X 1" NPT	47.2	26.5	21.0	
M 50 X 1/2" NPT	55.6	23.0	17.0	1 1/2" NPT X 1/2" NPT	55.6	27.0	21.0	
M 50 X 3/4" NPT	55.6	23.0	17.0	1 1/2" NPT X 3/4" NPT	55.6	27.0	21.0	
M 50 X 1" NPT	55.6	23.0	17.0	1 1/2" NPT X 1" NPT	55.6	27.0	21.0	
M 50 X 1 1/4" NPT	55.6	25.0	19.0	1 1/2" NPT X 1 1/4" NPT	55.6	27.0	21.0	
M 63 X 1/2" NPT	69.8	24.0	17.0	2" NPT X 1/2" NPT	69.8	29.0	22.0	
M 63 X 3/4" NPT	69.8	24.0	17.0	2" NPT X 3/4" NPT	69.8	29.0	22.0	
M 63 X 1" NPT	69.8	24.0	17.0	2" NPT X 1" NPT	69.8	29.0	22.0	
M 63 X 1 1/4" NPT	69.8	26.0	19.0	2" NPT X 1 1/4" NPT	69.8	29.0	22.0	
M 63 X 1 1/2" NPT	69.5	26.0	19.0	2" NPT X 1 1/2" NPT	69.5	29.0	22.0	
M 75 X 1/2" NPT	80.5	25.0	17.0	2 1/2" NPT X 1/2" NPT	80.5	34.0	26.0	
M 75 X 3/4" NPT	80.5	25.0	17.0	2 1/2" NPT X 3/4" NPT	80.5	34.0	26.0	
M 75 X 1" NPT	80.5	25.0	17.0	2 1/2" NPT X 1" NPT	80.5	34.0	26.0	
M 75 X 1 1/4" NPT	80.5	27.0	19.0	2 1/2" NPT X 1 1/4" NPT	80.5	34.0	26.0	
M 75 X 1 1/2" NPT	80.5	27.0	19.0	2 1/2" NPT X 1 1/2" NPT	80.5	34.0	26.0	
M 75 X 2" NPT	80.5	27.0	19.0	2 1/2" NPT X 2" NPT	80.5	34.0	26.0	
M 90 X 1/2" NPT	105.0	25.0	17.0	3" NPT X 1/2" NPT	105.0	34.0	26.0	
M 90 X 3/4" NPT	105.0	25.0	17.0	3" NPT X 3/4" NPT	105.0	34.0	26.0	
M 90 X 1" NPT	105.0	25.0	17.0	3" NPT X 1" NPT	105.0	34.0	26.0	
M 90 X 1 1/4" NPT	105.0	27.0	19.0	3" NPT X 1 1/4" NPT	105.0	34.0	26.0	
M 90 X 1 1/2" NPT	105.0	27.0	19.0	3" NPT X 1 1/2" NPT	105.0	34.0	26.0	
M 90 X 2" NPT	105.0	27.0	19.0	3" NPT X 2" NPT	105.0	34.0	26.0	

"Other sizes / threads / Design are available on request"

**REDUCER**

Thread Conversion **Round Reducers** is designed to provide flexibility and versatility in the Execution of construction works when there is a conflict between the type or size of the Cable Gland thread and the cable entry hole in the equipment.



**TECHNICAL DATA**

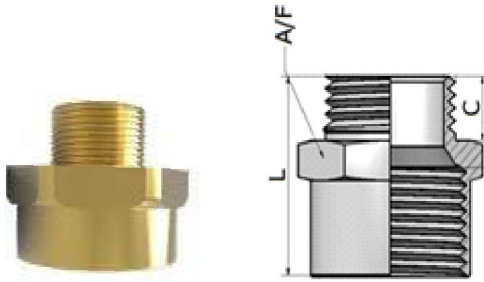
Thread	Metric, PG, NPT, BSPP, BSPT, PG, ET, NPT & NPSM
Material Specification	Brass BS2874, Stainless Steel 316 L, Mild Steel & Aluminium
Finish	Nickel Plated, Zinc Plated, Chrome Plated, Natural Finish & Other

SIZE							
Metric				PG			
Male X Female	D	ETL	L	Male X Female	D	ETL	L
M16 X M12	17.00	6.00	8.50	PG9 X PG7	17.00	6.00	8.50
M20 X M12	22.00	6.50	9.50	PG11 X PH7	20.00	6.00	8.50
M20 X M16	22.00	6.50	9.50	PG11 X PG9	20.00	6.00	8.50
M25 X M16	30.00	7.00	10.00	PG13.5 X PG7	22.00	6.50	9.00
M25 X M20	30.00	7.00	10.00	PG13.5 X PG9	22.00	6.50	9.00
M32 X M20	39.00	8.00	11.50	PG13.5 X PG11	22.00	6.50	9.00
M32 X M25	39.00	8.00	11.50	PG16 X PG7	24.00	6.50	9.00
M40 X M20	48.00	9.00	12.50	PG16 X PG9	24.00	6.50	9.00
M40 X M25	48.00	9.00	12.50	PG16 X PG11	24.00	6.50	9.00
M40 X M32	48.00	9.00	12.50	PG16 X PG13.5	24.00	6.50	9.00
M50 X M25	60.00	10.00	14.00	PG21 X PG11	30.00	7.00	10.00
M50 X M32	60.00	10.00	14.00	PG21 X PG13.5	30.00	7.00	10.00
M50 X M40	60.00	10.00	14.00	PG21 X PG16	30.00	7.00	10.00
M63 X M40	68.00	10.00	14.00	PG29 X PG13.5	39.00	8.00	11.50
M63 X M50	68.00	10.00	14.00	PG29 X PG16	39.00	8.00	11.50
				PG29 X PG21	39.00	8.00	11.50
				PG36 X PG21	50.00	9.00	12.50
				PG36 X PG29	50.00	9.00	12.50
				PG42 X PG29	57.00	10.00	14.00
				PG42 X PG36	57.00	10.00	14.00
				PG48 X PG36	64.00	11.00	14.00
				PG48 X PG42	64.00	11.00	14.00

"Other sizes / threads / Design are available on request"

## ADAPTOR

Thread Conversion **Adaptor** is designed to provide flexibility and versatility in the Execution of construction works when there is a conflict between the type or size of the Cable Gland thread and the cable entry hole in the equipment.



### TECHNICAL DATA

Thread	Metric, PG, NPT, BSPP, BSPT, PG, ET, NPT & NPSM
Material Specification	Brass BS2874, Stainless Steel 316 L, Mild Steel & Aluminium
Finish	Nickel Plated, Zinc Plated, Chrome Plated, Natural Finish & Other

SIZE							
METRIC TO METRIC (Male X Female)	A/F	C	L	NPT TO METRIC (Male X Female)	A/F	C	L
M 16 X M16	20.8	17.0	38.0	1/2" NPT X M 20	25.0	17.0	38.0
M 16 X M 20	25.0	17.0	38.0	1/2" NPT X M 25	30.5	17.0	38.0
M 20 X M 20	25.0	17.0	38.0	3/4" NPT X M 25	30.5	17.0	38.0
M 20 X M 25	30.5	17.0	38.0	3/4" NPT X M 32	37.6	17.0	38.0
M 25 X M 25	30.5	17.0	38.0	1" NPT X M 32	37.6	19.0	40.0
M 25 X M 32	37.5	17.0	38.0	1" NPT X M 40	47.2	19.0	40.0
M 32 X M 32	37.5	17.0	38.0	1 1/4" NPT X M 40	47.2	19.0	40.0
M 32 X M 40	47.2	17.0	38.0	1 1/4" NPT X M 50	56.4	19.0	40.0
M 40 X M 40	47.2	17.0	38.0	1 1/2" NPT X M 50	56.4	19.0	40.0
M 40 X M 50	56.4	17.0	38.0	1 1/2" NPT X M 63	70.1	19.0	40.0
M 50 X M 50	56.4	17.0	38.0	2" NPT X M 63	70.1	21.0	42.0
M 50 X M 63	70.1	17.0	38.0	2" NPT X M 75	80.0	21.0	42.0
M 63 X M 63	70.1	17.0	38.0	2 1/2" NPT X M 75	80.0	26.0	47.0
M 63 X M 75	80.0	17.0	38.0	2 1/2" NPT X M 90	105.0	26.0	47.0
M 75 X M 75	80.0	17.0	38.0	3" NPT X M90	105.0	26.0	47.0
M 75 X M 90	105.0	17.0	38.0				
M 90 X M90	105.0	17.0	38.0				

"Other sizes / threads / Design are available on request"

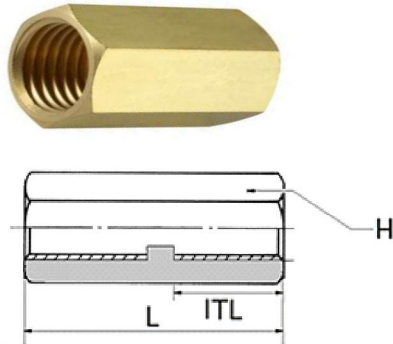
SIZE							
METRIC TO NPT (Male X Female)	A/F	C	L	NPT TO NPT (Male X Female)	A/F	C	L
M 16 X 1/2" NPT	25.0	17.0	38.0	1/2" NPT X 1/2" NPT	25.0	17.0	38.0
M 20 X 1/2" NPT	25.0	17.0	38.0	1/2" NPT X 3/4" NPT	30.5	17.0	38.0
M 20 X 3/4" NPT	30.5	17.0	38.0	3/4" NPT X 3/4" NPT	30.5	17.0	38.0
M 25 X 3/4" NPT	30.5	17.0	38.0	3/4" NPT X 1" NPT	37.6	17.0	42.0
M 25 X 1" NPT	38.5	17.0	42.0	1" NPT X 1" NPT	37.5	17.0	42.0
M 32 X 1" NPT	38.5	17.0	42.0	1" NPT X 1 1/4" NPT	47.2	19.0	44.0
M 32 X 1 1/4" NPT	48.0	17.0	42.0	1 1/4" NPT X 1 1/4" NPT	47.2	19.0	44.0
M 40 X 1 1/4" NPT	48.0	17.0	42.0	1 1/4" NPT X 1 1/2" NPT	56.4	19.0	44.0
M 40 X 1 1/2" NPT	56.4	17.0	42.0	1 1/2" NPT X 1 1/2" NPT	56.4	19.0	44.0
M 50 X 1 1/2" NPT	56.4	17.0	42.0	1 1/2" NPT X 2" NPT	70.1	21.0	46.0
M 50 X 2" NPT	70.1	17.0	42.0	2" NPT X 2" NPT	70.1	21.0	46.0
M 63 X 2" NPT	70.1	17.0	42.0	2" NPT X 2 1/2" NPT	80.0	23.0	53.0
M 63 X 2 1/2" NPT	80.0	17.0	42.0	2 1/2" NPT X 2 1/2" NPT	80.0	23.0	53.0
M 75 X 2 1/2" NPT	80.0	17.0	42.0	2 1/2" NPT X 3" NPT	105.0	26.0	56.0
M 75 X 3" NPT	105.0	17.0	47.0	3" NPT X 3" NPT	105.0	26.0	56.0
M90 X 3" NPT	105.0	17.0	47.0				

"Other sizes / threads / Design are available on request"

# ADAPTOR

Male to Male and Female to Female Adaptor is designed to convert an existing enclosure aperture to the opposite male or female thread form. These Male to Male and Female to Female Adaptors can also be supplied with thread conversion between the two threads to either a reduced size or a different thread type.

**Male to Male Adaptor** Convert an existing enclosure Male thread to the opposite Female thread form.



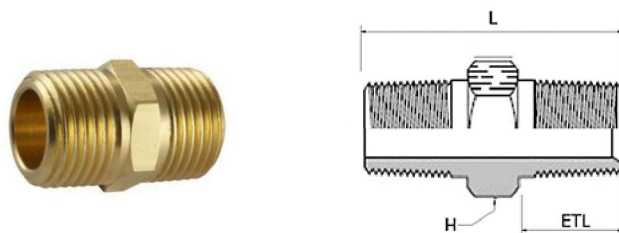
### TECHNICAL DATA

Thread	Metric, PG, NPT, BSPP, BSPT, PG, ET, NPT & NPSM
Material Specification	Brass BS2874, Stainless Steel 316 L, Mild Steel & Aluminium
Finish	Nickel Plated, Zinc Plated, Chrome Plated, Natural Finish & Other

SIZE								
METRIC TO METRIC (Female X Female)	H	L	ITL	NPT TO NPT (Female X Female)	H	L	ITL	
M 16 X M 16	21.0	38.0	17.0	1/2" NPT X 1/2" NPT	25.0	40.0	18.0	
M 20 X M 20	25.0	38.0	17.0	3/4" NPT X 3/4" NPT	30.5	40.0	18.0	
M 25 X M 25	30.5	38.0	17.0	1" NPT X 1" NPT	37.5	47.0	21.0	
M 32 X M 32	37.5	39.0	17.0	1 1/4" NPT X 1 1/4" NPT	47.2	47.0	21.0	
M 40 X M 40	47.2	40.0	17.0	1 1/2" NPT X 1 1/2" NPT	56.0	49.0	22.0	
M 50 X M 50	56.0	41.0	17.0	2" NPT X 2" NPT	70.0	59.0	26.0	
M 63 X M 63	70.0	42.0	17.0	2 1/2" NPT X 2 1/2" NPT	85.0	60.0	26.0	
M 75 X M 75	85.0	42.0	17.0					

"Other sizes / threads / Design are available on request"

**Female to Female Adaptor** convert an existing enclosure aperture to the opposite male thread form.



SIZE								
METRIC TO METRIC (Male X Male)	H	L	ETL	NPT TO NPT (Male X Male)	H	L	ETL	
M 16 X M 16	21.0	38.0	17.0	1/2" NPT X 1/2" NPT	25.0	40.0	18.0	
M 20 X M 20	25.0	38.0	17.0	3/4" NPT X 3/4" NPT	30.5	40.0	18.0	
M 25 X M 25	30.5	38.0	17.0	1" NPT X 1" NPT	37.5	47.0	21.0	
M 32 X M 32	37.5	39.0	17.0	1 1/4" NPT X 1 1/4" NPT	47.2	47.0	21.0	
M 40 X M 40	47.2	40.0	17.0	1 1/2" NPT X 1 1/2" NPT	56.0	49.0	22.0	
M 50 X M 50	56.0	41.0	17.0	2" NPT X 2" NPT	70.0	59.0	26.0	
M 63 X M 63	70.0	42.0	17.0	2 1/2" NPT X 2 1/2" NPT	85.0	60.0	26.0	
M 75 X M 75	85.0	42.0	17.0					

"Other sizes / threads / Design are available on request"



## ADAPTOR

**Right Angled Adaptor** is designed to protect cables when installed in confined spaces where the cable may otherwise be subject to excessive bending stress.



### TECHNICAL DATA

Thread	Metric, PG, NPT, BSP, BSPT, PG, ET, NPT & NPSM
Size	M16 to M100 & from ½ " to 3"
Finish	Nickel Plated, Zinc Plated, Chrome Plated, Natural Finish & Other
Material Specification	Brass BS2874, Stainless Steel 316 L, Mild Steel & Aluminium

"Other sizes / threads / Design are available on request"

**Union Adaptor**, Allow connection of rigid and flexible conduit, or terminated cable glands, to any fixed equipment. Union provides a running connection by means of an integral coupling arrangement that eliminates the need to rotate the conduit, or cable, or equipment to achieve a correct termination.



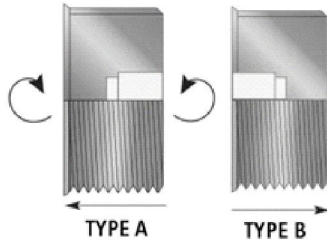
### TECHNICAL DATA

Thread	Metric, PG, NPT, BSP, BSPT, ET, NPT & NPSM
Size	M16 to M100 & from ½ " to 3"
Finish	Nickel Plated, Zinc Plated, Chrome Plated, Natural Finish & Other
Material Specification	Brass BS2874, Stainless Steel 316 L, Mild Steel & Aluminium

"Other sizes / threads / Design are available on request"

# STOP PLUG

**Allen Key Type Stopper Plug** is designed to provide a permanent or temporary means of blocking unused cable entry holes in flameproof enclosures enabling the equipment to be safely deployed in the Explosive Atmosphere. Always inserted from the outside of the enclosure, these stopper Plugs are available with both internal (Type A) and external (Type B) Allen Key facility. Insert Allen Key Type A Stopper Plug is considered as tamper-proof since it can only be removed from the inside, after the equipment has been de-energised and the terminal chamber cover removed.



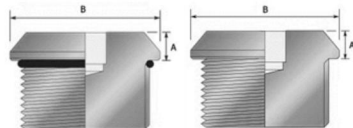
### TECHNICAL DATA

Thread	Metric, PG, NPT, BSPP, BSPT, PG, ET, NPT & NPSM
Material Specification	Brass BS2874, Stainless Steel 316 L, Mild Steel & Aluminium
Finish	Nickel Plated, Zinc Plated, Chrome Plated, Natural Finish & Other

SIZE					
Metric			NPT		
Thread Size	Minimum Thread Length	Allen Key Size A/F	Thread Size	Minimum Thread Length	Allen Key Size A/F
M16	15.0	M8	1/2"	0.700	M8
M20	15.0	M10	3/4"	0.700	M10
M25	15.0	M10	1"	0.700	M10
M32	15.0	M10	1-1/4"	0.825	M10
M40	15.0	M10	1-1/2"	0.825	M10
M50	15.0	M10	2"	0.825	M10
M63	15.0	M14	2-1/2"	0.825	M14
M75	15.0	M14	3"	1.000	M14
M90	24.0	M14	3-1/2"	1.000	M14
M100	24.0	M14	4"	1.000	M14

"Other sizes / threads / Design are available on request"

The **Domed Allen Head Stopper Plug** is fitted from outside of the enclosure.

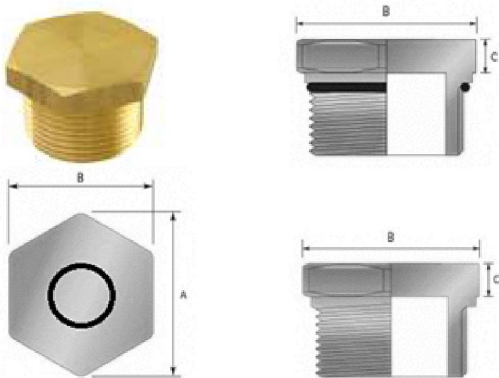


SIZE									
Metric					NPT				
Thread Size	Minimum Thread Length	Head Diameter 'B'	Protrusion Length 'A'	Allen Key Size A/F	Thread Size	Minimum Thread Length	Head Diameter 'B'	Protrusion Length 'A'	Allen Key Size A/F
M16	15.0	22.0	5.5	M8	1/2"	0.59	1.06	0.22	M10
M20	15.0	27.0	5.5	M10	3/4"	0.59	1.18	0.22	M10
M25	15.0	30.0	5.5	M10	1"	0.59	1.42	0.22	M10
M32	15.0	36.0	5.5	M10	1-1/4"	0.59	1.81	0.22	M10
M40	15.0	46.0	5.5	M10	1-1/2"	0.59	2.17	0.22	M10
M50	15.0	55.0	5.5	M10	2"	0.59	2.56	0.22	M14
M63	15.0	65.0	5.5	M14	2-1/2"	0.59	3.15	0.22	M14
M75	15.0	80.0	5.5	M14	3"	0.59	3.50	0.22	M14
M80	19.00	80.6	5.5	M14	3-1/2"	0.59	3.74	0.22	M14
M90	19.00	95.0	5.5	M14	4"	0.59	4.25	0.22	M14
M100	19.00	108.0	5.5	M14					

"Other sizes / threads / Design are available on request"

**STOP PLUG**

**Hexagonal Stop Plugs** provide a permanent or temporary means of blanking unused cable entry holes in Flameproof and Increased Safety enclosures, enabling the equipment to be safely deployed in the hazardous area. Stopper Plugs is produced with a Hexagon Head, making it possible to install or remove with either an open ended or ring type spanner or wrench.



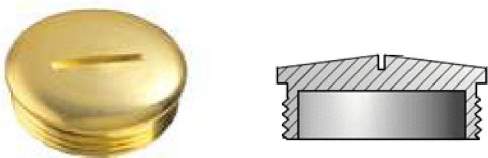
**TECHNICAL DATA**

Thread	Metric, PG, NPT, BSPP, BSPT, PG, ET, NPT & NPSM
Material Specification	Brass BS2874, Stainless Steel 316 L, Mild Steel & Aluminium
Finish	Nickel Plated, Zinc Plated, Chrome Plated, Natural Finish & Other

SIZE									
Metric					NPT				
Thread Size	Minimum Thread Length	Across Corners "A"	Across Flats "B"	Protrusion Length "C"	Thread Size	Minimum Thread Length	Across Corners "A"	Across Flats "B"	Protrusion Length "C"
M16	15.0	24.2	22.0	8.0	1/2"	0.59	0.95	0.87	0.31
M20	15.0	26.4	24.0	8.0	3/4"	0.59	1.04	0.94	0.31
M25	15.0	33.0	30.0	8.0	1"	0.59	1.30	1.18	0.31
M32	15.0	39.6	36.0	8.0	1-1/4"	0.59	1.56	1.42	0.31
M40	15.0	50.6	46.0	8.0	1-1/2"	0.59	1.99	1.81	0.31
M50	15.0	60.5	55.0	8.0	2"	0.59	2.38	2.17	0.31
M63	15.0	71.5	65.0	8.0	2-1/2"	0.59	2.81	2.56	0.31
M75	15.0	88.0	80.0	8.0	3"	0.59	3.46	3.15	0.31
M90	15.0	104.5	95.0	10.0	3-1/2"	0.59	4.11	3.74	0.39
M100	15.0	118.8	108.0	10.0	4"	0.59	4.68	4.25	0.39

"Other sizes / threads / Design are available on request"

**Domed Slotted Head Plug** is designed to provide a permanent or temporary means of blanking unused cable entry holes in Flameproof and Increased Safety enclosures, enabling the equipment to be safely deployed in the Explosive Atmosphere.

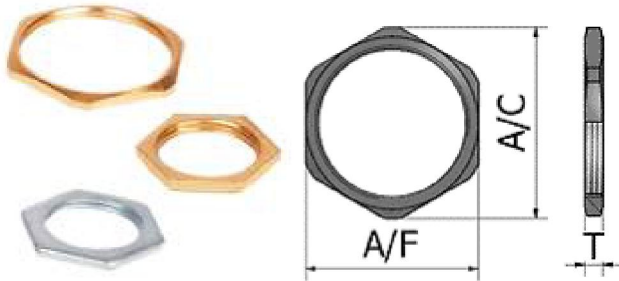


SIZE			
Metric		NPT	
Thread Size	Minimum Thread Length	Thread Size	Minimum Thread Length
M16	15.0	1/2"	0.700
M20	15.0	3/4"	0.700
M25	15.0	1"	0.700
M32	15.0	1-1/4"	0.825
M40	15.0	1-1/2"	0.825
M50	15.0	2"	0.825
M63	15.0	2-1/2"	0.825
M75	15.0	3"	1.000
M90	24.0	3-1/2"	1.000
M100	24.0	4"	1.000

"Other sizes / threads / Design are available on request"

## LOCK NUT

These are the recommended items used in securing brass cable glands, unions, adaptors, reducers, and stopper plugs to a gland plate or into equipment. Secure the cable gland body to the cable gland plate or the equipment.



### TECHNICAL DATA

Thread	Metric, PG, NPT, BSPP, BSPT, PG, ET, NPT & NPSM
Material Specification	Brass BS2874, Stainless Steel 316 L, Mild Steel & Aluminium
Finish	Nickel Plated, Zinc Plated, Chrome Plated, Natural Finish & Other

SIZE											
METRIC				NPT				PG			
Size	A/F	A/C	Thickness	Size	A/F	A/C	Thickness	Size	A/F	A/C	Thickness
M16	22.0	24.2	3.2	-	-	-	-	PG7	15.00	16.50	2.90
M20	24.0	26.4	3.2	1/2"	1.062	1.168	0.188	PG9	18.00	20.00	2.90
M25	30.0	33.0	3.2	3/4"	1.299	1.428	0.188	PG11	21.00	23.00	3.10
M32	36.0	39.6	3.2	1"	1.614	1.775	0.188	PG13.5	23.00	25.00	3.10
M40	46.0	50.6	4.8	1-1/4"	1.968	2.164	0.188	PG16	26.00	28.60	3.10
M50	55.0	60.5	6.3	1-1/2"	2.362	2.598	0.196	PG21	31.00	35.00	3.60
M63	70.0	77.0	6.3	2"	2.755	3.463	0.196	PG29	41.00	46.00	4.10
M75	85.0	93.5	6.3	2-1/2"	3.149	3.463	0.393	PG36	51.00	56.50	5.10
M80	95.0	106.0	9.5	3"	3.937	4.330	0.393	PG42	59.00	62.00	5.10
M90	106.0	116.6	9.5	3-1/2"	4.488	4.936	0.440	PG48	64.00	70.00	6.10
M100	123.0	135.3	9.5	4"	5.118	5.629	0.440				
M100	130.0	143.0	9.5								

"Other sizes / threads / Design are available on request"

## EARTH TAG

Earth Tags, installed between the cable gland and equipment, provide an earth bond connection.



### TECHNICAL DATA

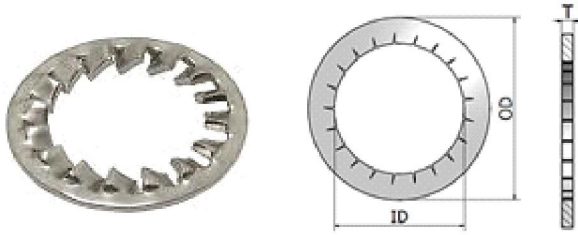
Size	M16 to M100 (1/2"NPT to 3"NPT)
Material Specification	Brass BS2874, Stainless Steel 316 L & Aluminium
Finish	Nickel Plated, Natural Finish & Other

"Other sizes / Design are available on request"

## SERRATED WASHER

Available in Stainless Steel as standard, these "shake-proof" Serrated Washers fitted internally to the equipment and before a locknut act as an anti-vibration device to prevent the cable gland or other cable entry device and locknut arrangement from inadvertently loosening in service.

### TECHNICAL DATA



Material Specification	Stainless Steel 316 L& Mild Steel
Finish	Zinc Plated & Natural Finish

SIZE							
Metric				NPT			
Inner Diameter	External Diameter	Thickness with Tooth	Thickness	Inner Diameter	External Diameter	Thickness with Tooth	Thickness
M16	25.5	3.7	1.5	1/2"	1.268	0.152	0.060
M20	32.5	3.9	1.5	3/4"	1.560	0.152	0.060
M25	40.0	3.9	1.5	1"	1.697	0.152	0.060
M32	43.5	3.9	1.5	1-1/4"	2.516	0.152	0.060
M40	64.5	3.9	1.5	1-1/2"	3.120	0.152	0.060
M50	80.0	3.9	1.5	2"	3.900	0.152	0.060
M63	100.0	3.9	1.5	2-1/2"	4.368	0.159	0.060
M75	112.0	3.9	1.5	3"	5.265	0.159	0.060
M90	135.0	4.1	1.5	3-1/2"	5.639	0.159	0.060
				4"	6.201	0.159	0.060

"Other sizes / Design are available on request"

## SHROUD

Push on shrouds which are used to minimize the risk of dirt or foreign substances gathering on the Cable Gland Body, and/or point of cable to a gland interface. Keeping the surface of the cable gland free from the build-up of dust or dirt and retain unwanted moisture. For all types of gland applications to provide additional protection & enhances the IP rating of the gland termination.



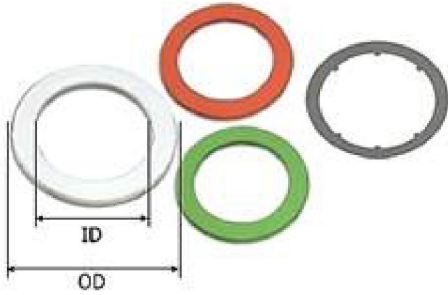
### TECHNICAL DATA

Material Specification	Thermo Plastic Rubber ( TPR), Thermo Plastic Elastomer (TPE),PVC DIP moulded (Black)
Size	M20 to M100 (1/2" NPT to 3" NPT) Suitable to Cable gland sizes

"Other sizes / Design are available on request"

# THREAD SEAL

To maintain the Ingress Protection rating between the equipment and cable gland it may be necessary to fit an Entry Thread Seal at the gland entry interface. For Explosion Protected equipment it is essential to maintain the integrity of the degree of Ingress Protection at which the equipment has been rated. The need for a sealing washer will very much depend on the Ingress Protection rating and code of protection of the equipment and the type of entry holes available within that equipment.



### TECHNICAL DATA

Material Specification	Nylon 66 (White and Grey ) & Fibre (Red)
Size	M16 to M90 ( 1/2" NPT to 4" NPT)

SIZE					
Metric			NPT		
Inner Diameter	Outer Diameter	Thickness	Inner Diameter	Outer Diameter	Thickness
M16	25.4	2.0	1/2"	1.000	0.079
M20	28.0	2.0	3/4"	1.126	0.079
M25	34.4	2.0	1"	1.378	0.079
M32	44.1	2.0	1-1/4"	1.752	0.079
M40	50.5	2.0	1-1/2"	2.000	0.079
M50	63.4	2.0	2"	2.559	0.079
M63	76.5	2.0	2-1/2"	3.000	0.079
M75	95.0	2.0	3"	3.740	0.079
M90	111.0	2.0	3-1/2"	4.699	0.079
M100	120.5	2.0	4"	5.335	0.079

"Other sizes / Colour/ Design are available on request"

## GLAND SECTION CHART

600 / 1000v stranded copper conductors pvc insulated with steel wire armour and PVC sheathed overall. Cable to BS 6346 : 1997

Cable Size Conductor		Numbers of Cores													
Nom. Area (mm <sup>2</sup> )	Neutral	1	2	3	31/2	4	5	7	10	12	19	27	37	48	
1.5	-	-	16	16	-	20S	20S	20S	20	20	25	25	32	32	
2.5	-	-	20S	20S	-	20S	20S	20	25	25	25	32	32	40	
4	-	-	20S	20	-	20	20	25	25	25	32	40	-	-	
6	-	-	20	20	-	20	-	-	-	-	-	-	-	-	
10	-	-	25	25	-	25	-	-	-	-	-	-	-	-	
16	-	-	25	25	-	25	-	-	-	-	-	-	-	-	
25	16	-	25	32	32	32	-	-	-	-	-	-	-	-	
35	16	-	32	32	32	40	-	-	-	-	-	-	-	-	
50	25	25	32	32	32	40	-	-	-	-	-	-	-	-	
70	35	25	32	40	40	40	-	-	-	-	-	-	-	-	
95	50	25	40	40	50S	50S	-	-	-	-	-	-	-	-	
120	70	32	40	50S	50	50	-	-	-	-	-	-	-	-	
150	70	32	50S	50	50	63S	-	-	-	-	-	-	-	-	
185	95	32	50	50	63S	63	-	-	-	-	-	-	-	-	
240	120	40	50	63S	63	75S	-	-	-	-	-	-	-	-	
300	150	40	63S	63	75S	75	-	-	-	-	-	-	-	-	
300	185	40	63	63	75	75	-	-	-	-	-	-	-	-	
400	185	50S	63	75S	75	75	-	-	-	-	-	-	-	-	
500	-	50	-	-	-	-	-	-	-	-	-	-	-	-	
630	-	50	-	-	-	-	-	-	-	-	-	-	-	-	
800	-	63S	-	-	-	-	-	-	-	-	-	-	-	-	
1000	-	63	-	-	-	-	-	-	-	-	-	-	-	-	

600 / 1000v stranded copper conductors xlpe/swa/pvc cable and PVC sheathed overall. Cable to BS 5467 : 1989

Cable Size Conductor		Numbers of Cores													
Nom. Area (mm <sup>2</sup> )	Neutral	1	2	3	31/2	4	5	7	10	12	19	27	37	48	
1.5	-	-	20S	20S	-	20S	20S	20S	20	25	25	32	32	32	
2.5	-	-	20S	20S	-	20S	20S	20	25	25	32	32	40	40	
4	-	-	20S	20S	-	20	20	25	25	25	32	40	40	50S	
6	-	-	20	20	-	20	-	-	-	-	-	-	-	-	
10	-	-	20	25	-	25	-	-	-	-	-	-	-	-	
16	-	-	25	25	-	25	-	-	-	-	-	-	-	-	
25	16	-	25	32	32	32	-	-	-	-	-	-	-	-	
35	16	-	32	32	32	32	-	-	-	-	-	-	-	-	
50	25	25	25	32	32	32	-	-	-	-	-	-	-	-	
70	35	25	32	32	40	40	-	-	-	-	-	-	-	-	
95	50	25	32	40	50S	50S	-	-	-	-	-	-	-	-	
120	70	32	40	40	50	50	-	-	-	-	-	-	-	-	
150	70	32	40	50S	50	50	-	-	-	-	-	-	-	-	
185	95	32	50S	50	63S	63S	-	-	-	-	-	-	-	-	
240	120	40	50	63S	63	63	-	-	-	-	-	-	-	-	
300	150	40	63S	63	75S	75S	-	-	-	-	-	-	-	-	
300	185	40	63S	63	75S	75	-	-	-	-	-	-	-	-	
400	185	50S	63S	75S	75	75	-	-	-	-	-	-	-	-	
500	-	50	-	-	-	-	-	-	-	-	-	-	-	-	
630	-	50	-	-	-	-	-	-	-	-	-	-	-	-	
800	-	63S	-	-	-	-	-	-	-	-	-	-	-	-	
1000	-	63	-	-	-	-	-	-	-	-	-	-	-	-	

BE OUR CLIENT AND ENJOY

QUALITY CONSISTENCY | DELIVERY ON TIME | COMPETITIVE PRICE

DADA CORPORATION

Gujarat, India +91 80000 77333 info@dadacorp.co.in

